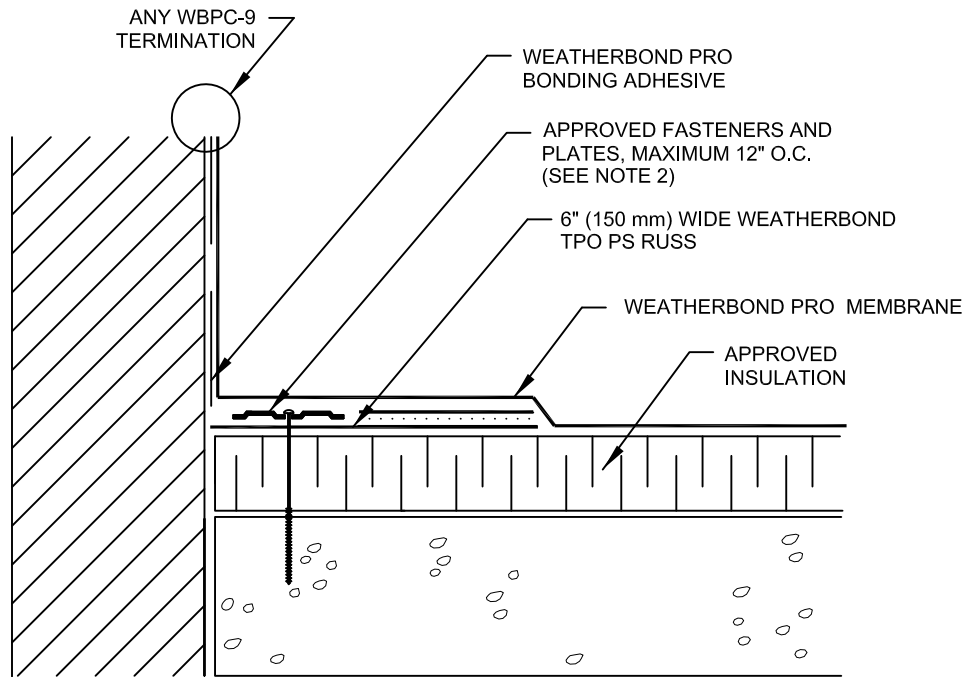


WeatherBond™ Pro ROOFING SYSTEM

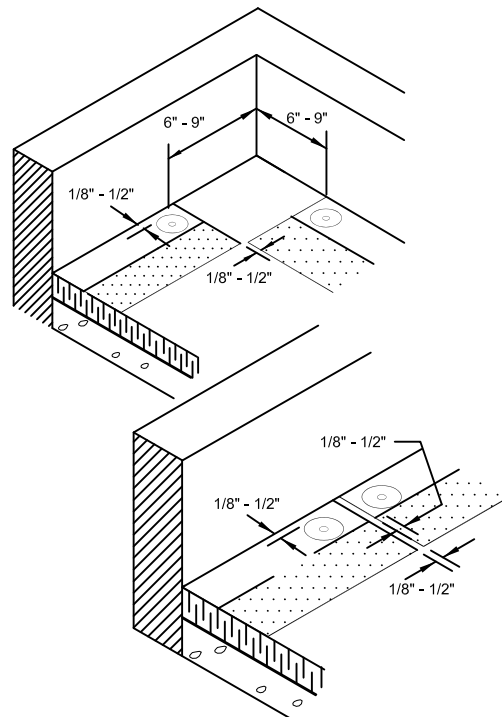
CREASE MEMBRANE AT ANGLE CHANGE TO
LIMIT BRIDGING TO 3/4" (19 mm) MAXIMUM



PRIMER MUST BE APPLIED TO BACK SIDE OF MEMBRANE
PRIOR TO ADHERING MEMBRANE TO WEATHERBOND PS RUSS

NOTES:

1. FOR CORNER APPLICATION, SEE DETAIL WBPC-15.5.
2. WHEN COUNTERFLASHING IS USED FOR TERMINATION, BONDING ADHESIVE IS NOT REQUIRED WHEN FLASHING HEIGHT IS 12" (300 mm) OR LESS. WHEN COPING OR TERMINATION BAR IS USED, ADHESIVE MAY BE ELIMINATED WHEN FLASHING HEIGHT IS 18" (500 mm) OR LESS.



WBPC-12.2
WALL FLASHING/PS RUSS

WEATHERBOND™
© 2007 WEATHERBOND