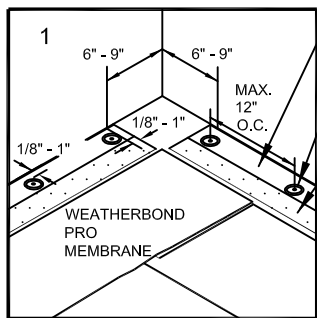


WeatherBond™ Pro ROOFING SYSTEM

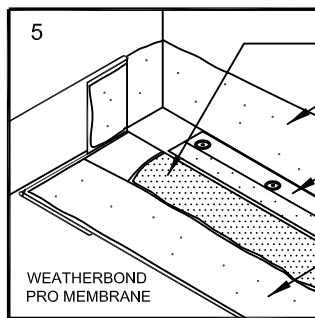


6" WIDE WEATHERBOND PRO PS RUSS

APPROVED PLATE AND FASTENER, MAX. 12" O.C.

PRE-APPLIED QA TAPE

INSTALL PS RUSS AND FASTEN TO ROOF DECK WITH APPROVED FASTENERS AND PLATES, MAX. 12" O.C.

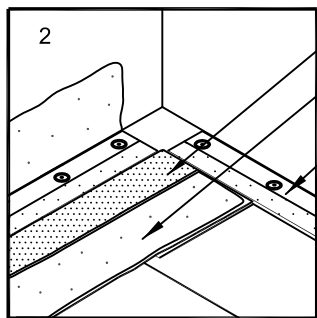


PRIMER

BONDING ADHESIVE

6" WIDE PS RUSS

BONDING ADHESIVE

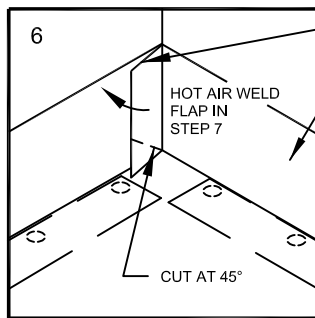


PRIMER

BONDING ADHESIVE

6" WIDE PS RUSS

FOR RUSS SECUREMENT, REFER TO DETAIL WBPC-12.2.

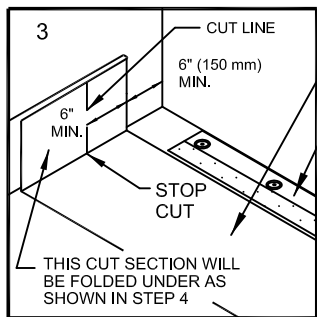


1-1/2" (40 mm) WIDE MIN.

HOT AIR WELD FLAP IN STEP 7

WEATHERBOND PRO MEMBRANE

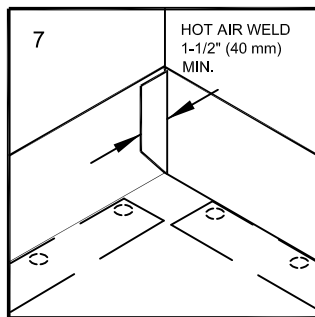
CUT AT 45°



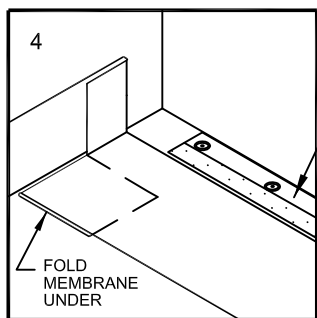
WEATHERBOND PRO MEMBRANE

6" WIDE PS RUSS

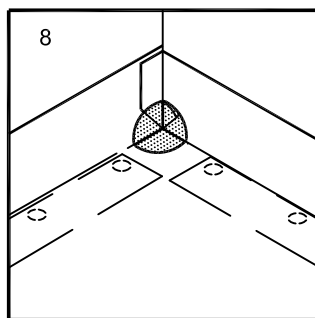
THE CUT SECTION OF VERTICAL MEMBRANE WILL BE FOLDED UNDER THE FIELD MEMBRANE AS SHOWN IN STEP 4.



HOT AIR WELD 1-1/2" (40 mm) MIN.



6" WIDE PS RUSS



APPLY WEATHERBOND PRO INSIDE CORNER IN ACCORDANCE WITH WEATHERBOND PRO DETAIL WBPC-15.1 OR WBPC-15.2

APPLY CUT-EDGE SEALANT TO CUT EDGES OF WEATHERBOND PRO REINFORCED MEMBRANE.

WBPC-15.5
INSIDE CORNER/PS RUSS

WEATHERBOND™
© 2007 WEATHERBOND