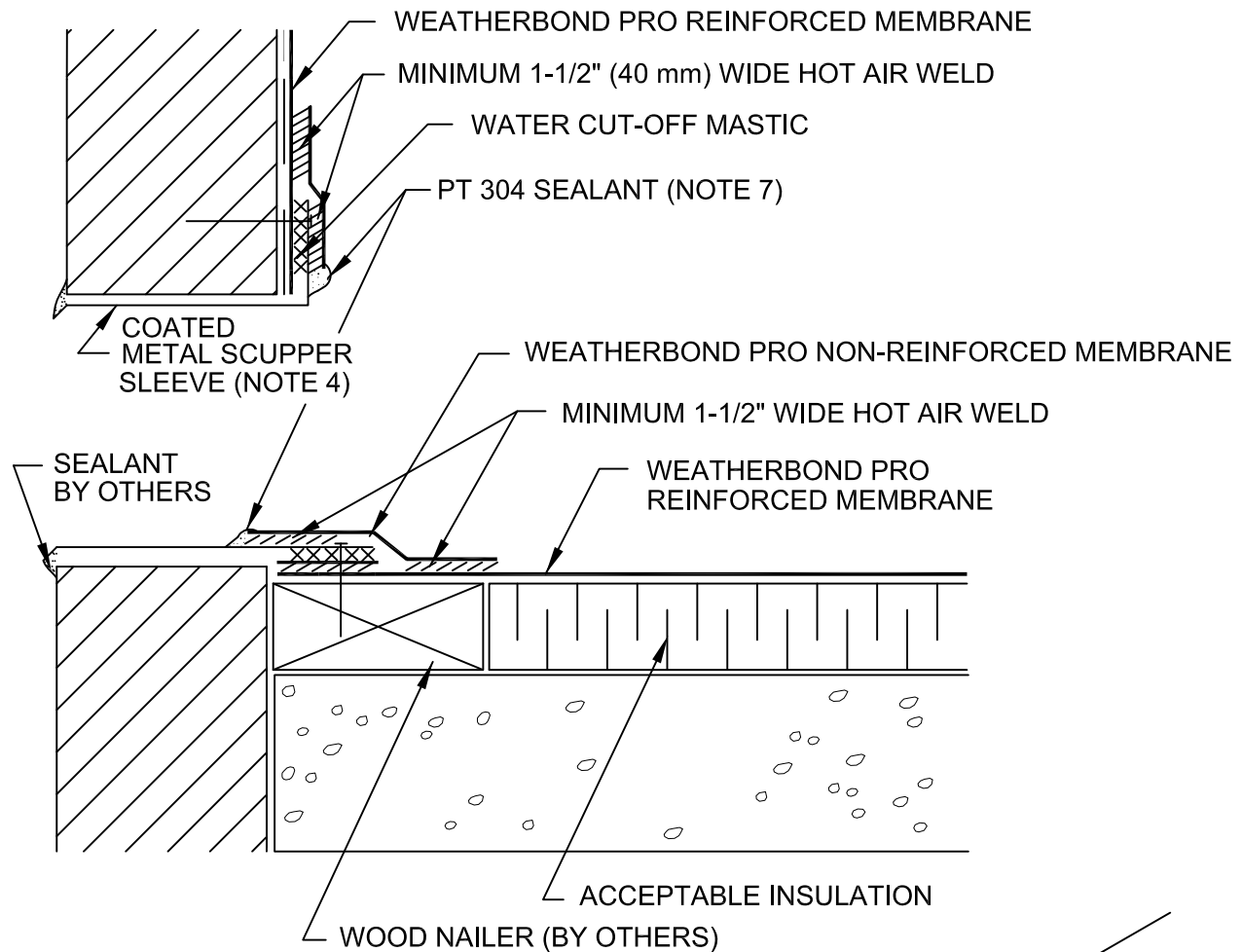
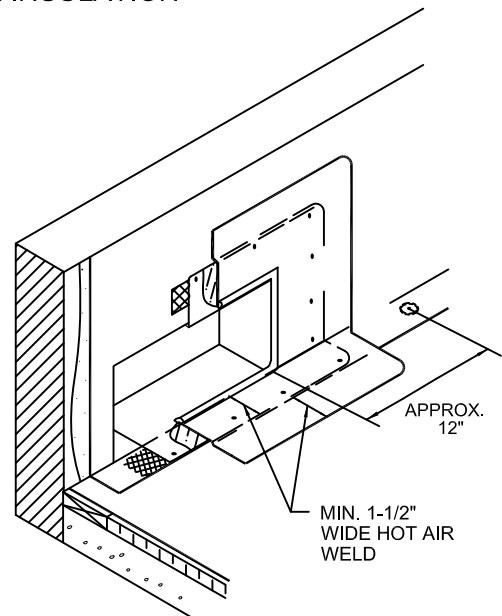


## WeatherBond™ Pro ROOFING SYSTEM



### NOTES:

1. WOOD NAILER MUST EXTEND PAST TOTAL WIDTH OF DECK FLANGE.
2. INSTALL WALL FLASHING PRIOR TO SCUPPER INSTALLATION.
3. DISCONTINUE FASTENING PLATES AT SCUPPER OPENING AS SHOWN.
4. METAL SCUPPER BOX MUST HAVE CONTINUOUS SIDES; METAL FLANGE MUST BE CONTINUOUS WITH ROUNDED CORNERS.
5. WATER CUT-OFF MASTIC UNDER SCUPPER FLANGE MUST BE UNDER CONSTANT COMPRESSION.
6. MINIMUM 2" (50 mm) SPLICE FROM NAIL HEAD.
7. PT 304 SEALANT IS REQUIRED AT FLASHING EDGE ON SCUPPER EDGE. PRIMER MUST BE USED TO PREPARE SURFACES PRIOR TO APPLYING PT 304 SEALANT.



**WBPC-18.2**  
**SCUPPER WITH COATED METAL**

**WEATHERBOND™**  
 © 2007 WEATHERBOND