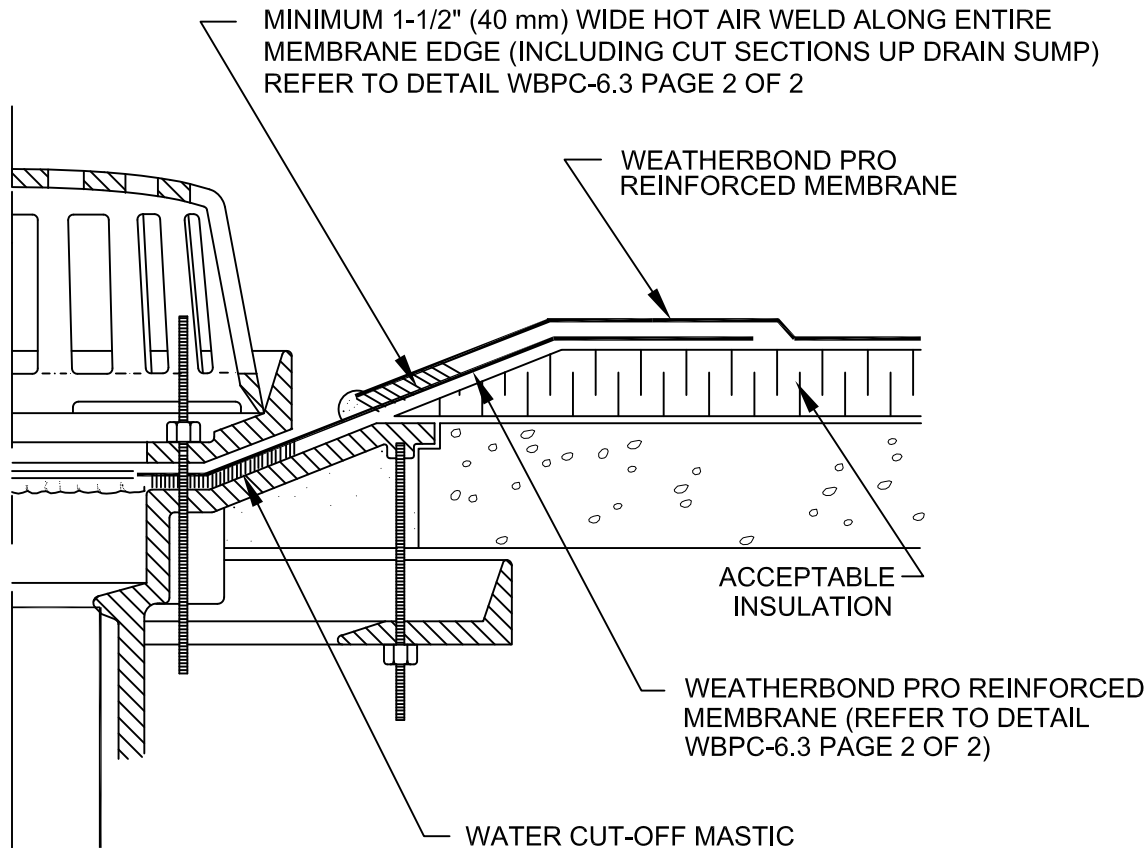


WeatherBond™ Pro ROOFING SYSTEM

FOR DRAINS WITH TAPERED INSULATION AT DRAIN SUMP GREATER THAN 3" TO 1 HORIZONTAL FOOT



NOTES:

1. REMOVE ALL LEAD AND OTHER FLASHING.
2. ALL DRAIN BOLTS OR CLAMPS MUST BE IN PLACE TO PROVIDE COMPRESSION ON WATER CUT-OFF MASTIC.
3. CUT MEMBRANE SO IT EXTENDS A MINIMUM OF 1/2" (13 mm) FROM ATTACHMENT POINTS OF THE CLAMPING RING.
4. APPROXIMATELY 1/8" (3 mm) DIAMETER BEAD OF CUT-EDGE SEALANT IS REQUIRED ON CUT EDGES OF WEATHERBOND PRO REINFORCED MEMBRANE.