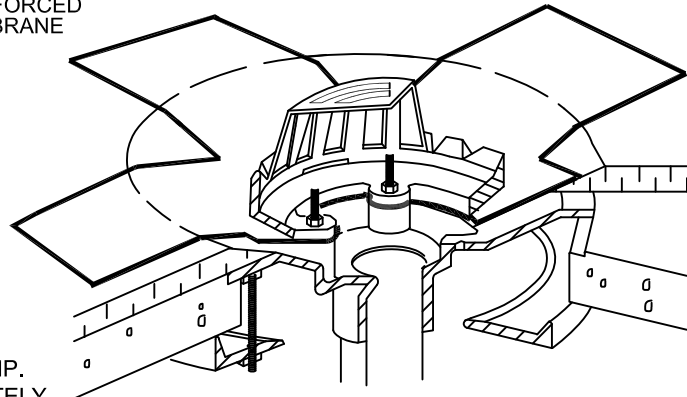
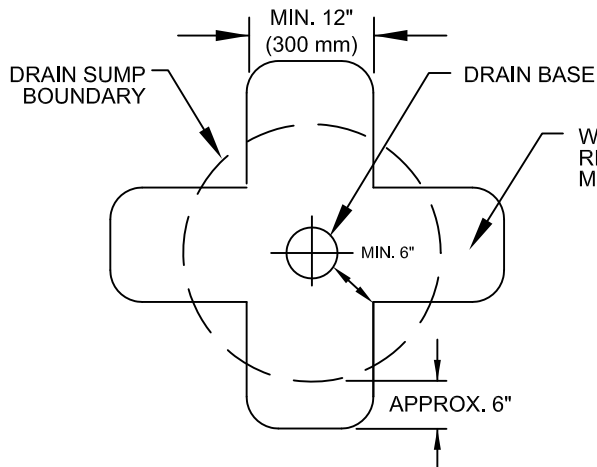
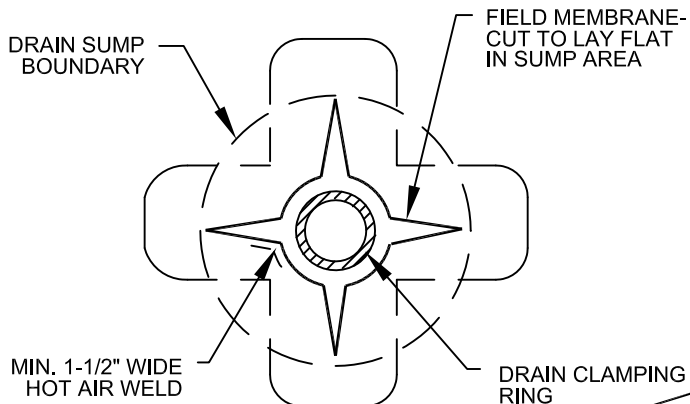


WeatherBond™ Pro ROOFING SYSTEM

FOR DRAINS WITH TAPERED INSULATION AT DRAIN SUMP GREATER THAN 3" TO 1 HORIZONTAL FOOT



CUT SECTION OF WEATHERBOND PRO REINFORCED MEMBRANE AS SHOWN AND POSITION INTO DRAIN SUMP. EXTEND MEMBRANE OUT OF DRAIN SUMP APPROXIMATELY 6" (150 mm) (ROUND CORNERS).



EXTEND WEATHERBOND PRO MEMBRANE ONTO MEMBRANE SECTION POSITIONED AT DRAIN SUMP AND CUT AS SHOWN TO LAY FLAT IN SUMP. HOT AIR WELD A MINIMUM OF 1-1/2" (40 mm) COMPLETELY SURROUNDING AREA.

