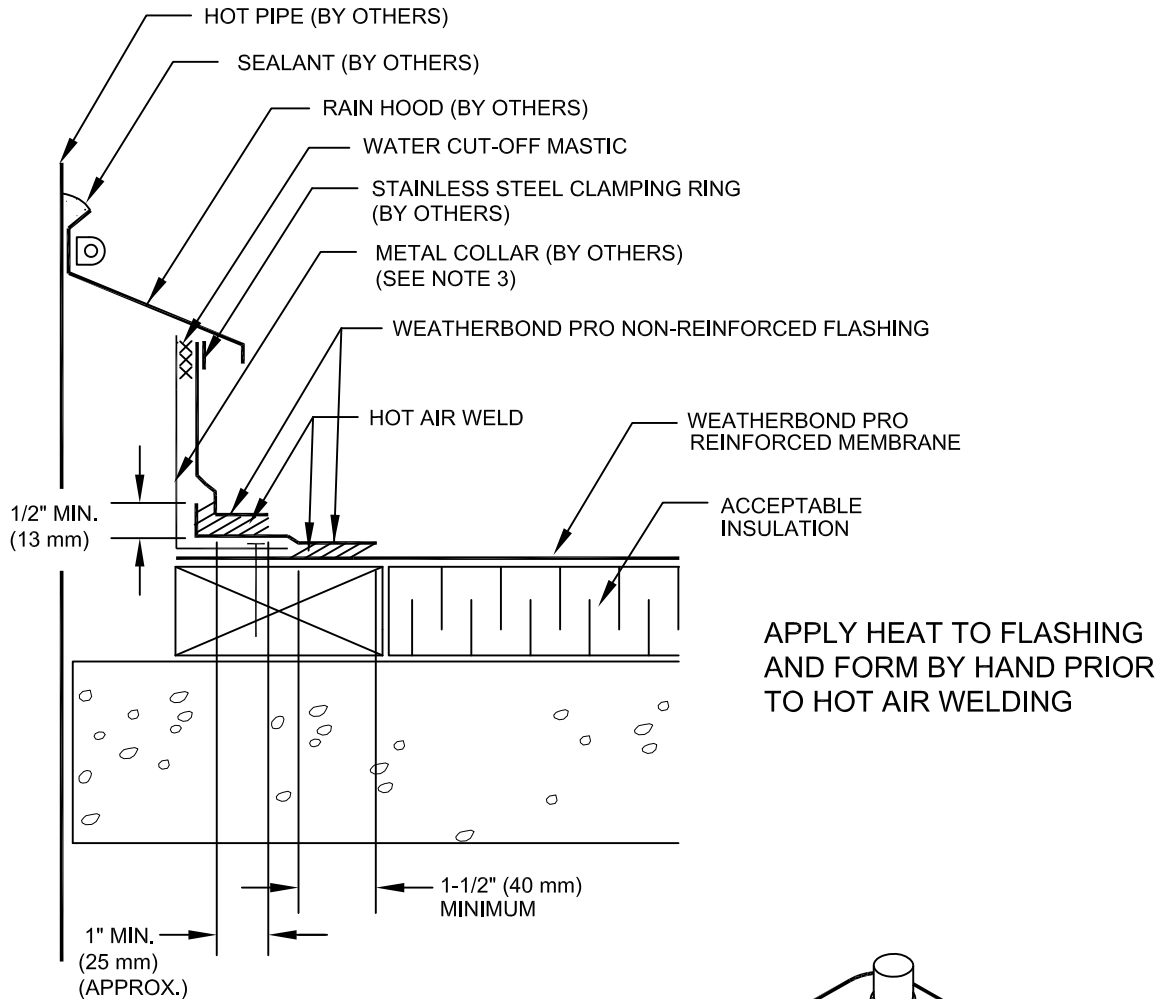


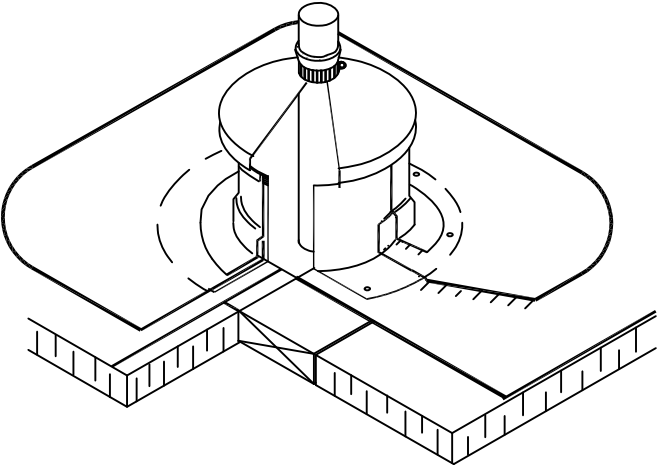
WeatherBond™ Pro ROOFING SYSTEM



APPLY HEAT TO FLASHING
AND FORM BY HAND PRIOR
TO HOT AIR WELDING

NOTES:

1. FIELD-FABRICATED PIPE SEAL FOR USE WITH HOT PIPE, 120° F (49° C) OR HOTTER.
2. WEATHERBOND PRO NON-REINFORCED MEMBRANE WRAPPED AROUND PIPE SHALL HAVE MINIMUM 1-1/2" (40 mm) VERTICAL HOT AIR WELD.
3. TEMPERATURE OF METAL COLLAR MUST NOT EXCEED 120° F.



WBPC-8.3
FIELD FABRICATED HOT PIPE

