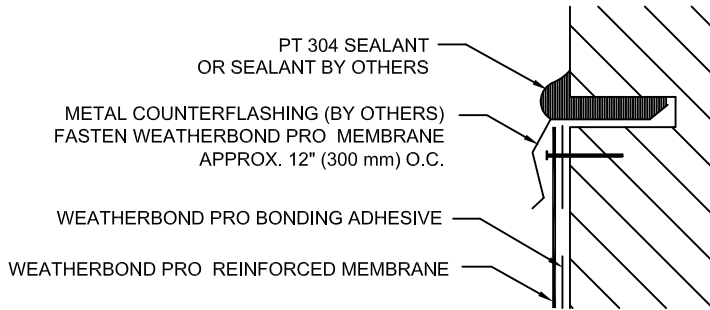


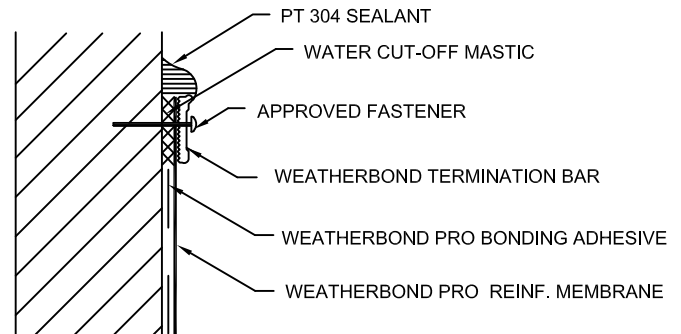
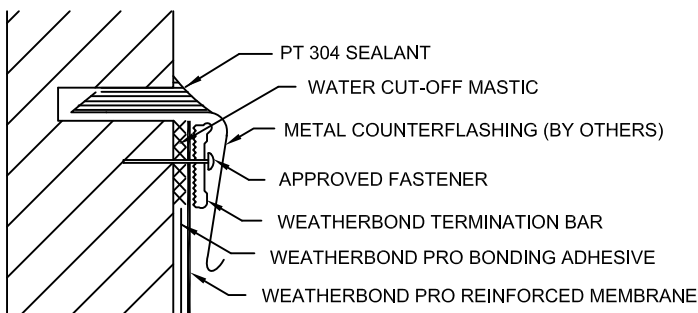
## WeatherBond™ Pro ROOFING SYSTEM



### NOTES:

1. COUNTERFLASHING SHALL BE ELEVATED ABOVE PONDED WATER.
2. NOT FOR USE ON 15-YEAR WARRANTY PROJECTS (REFER TO DETAIL WBPC-9.6).
3. BONDING ADHESIVE IS NOT REQUIRED WHEN FLASHING HEIGHT IS 12" (300 mm) OR LESS.

### WBPC-9.3 COUNTERFLASHING TERMINATION



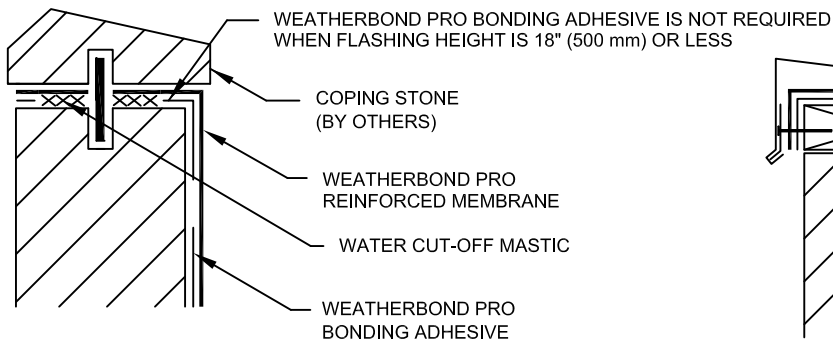
1. APPLY ON HARD SMOOTH SURFACE ONLY; NOT FOR USE ON WOOD.
2. DO NOT WRAP COMPRESSION TERMINATION AROUND CORNERS.
3. FASTENERS OF METAL BAR MUST PROVIDE CONSTANT COMPRESSION ON WATER CUT-OFF MASTIC.

4. ALLOW 1/4" to 1/2" (6 to 13 mm) SPACING BETWEEN CONSECUTIVE LENGTHS OF TERMINATION BAR.

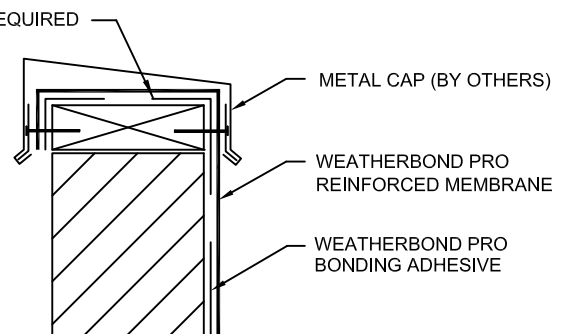
5. BONDING ADHESIVE IS NOT REQUIRED WHEN FLASHING IS 18" (500 mm) OR LESS.

### WBPC-9.6 MECHANICAL TERMINATION

### WBPC-9.4 MECHANICAL TERMINATION



### WBPC-9.5 COPING STONE TERMINATION



### WBPC-9.2 CAP FLASHING TERMINATION

## WBPC-9 FLASHING TERMINATIONS