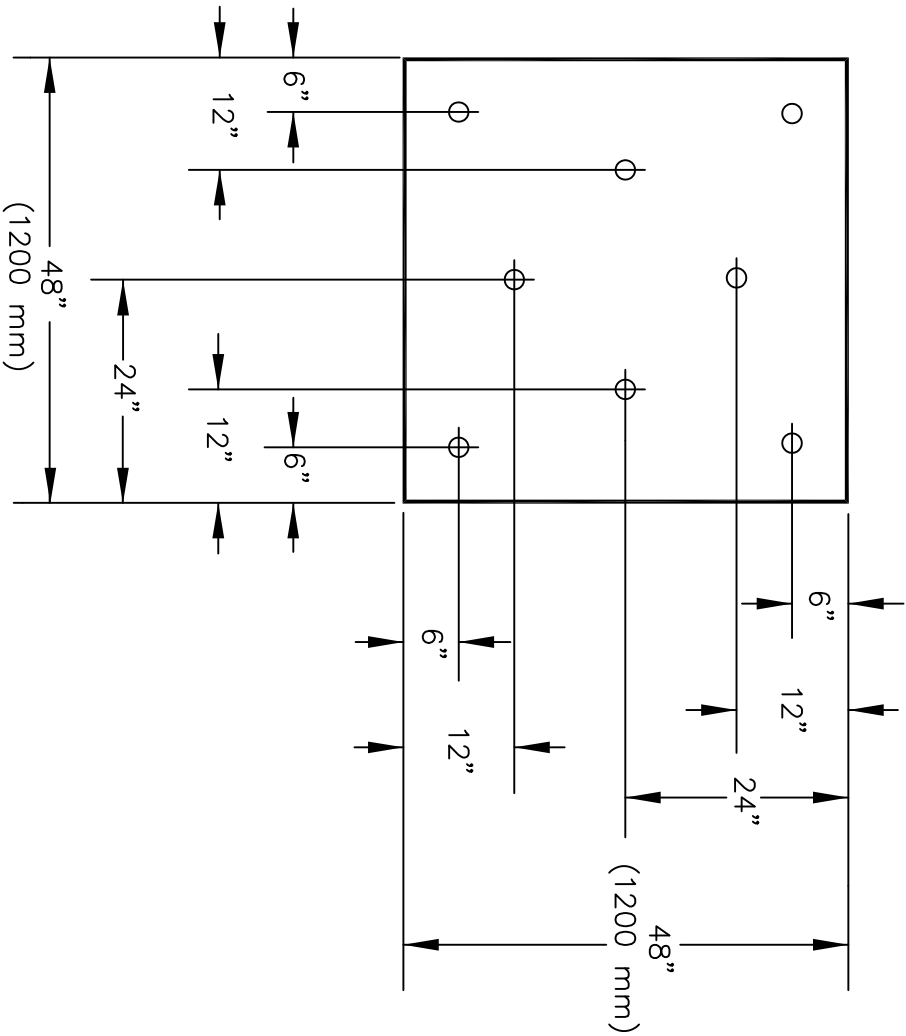


WEATHERBOND REQUIRED FASTENING PATTERN FOR INSULATION ON WB PRO TPO
FULLY ADHERED ROOFING SYSTEMS.



NOTES:

1. IF A FACTORY MUTUAL (FM) RATING IS NOT REQUIRED THE FOLLOWING TOLERANCES ON DIMENSIONS BETWEEN FASTENERS ARE PERMITTED:

DIMENSIONS SHOWN ON DRAWING	PERMITTED TOLERANCES
6" (150 mm)	$\pm 1/2"$ (13 mm)
12" (300 mm)	$\pm 1"$ (25 mm)
24" (600 mm)	$\pm 2"$ (50 mm)

2. IF A FACTORY MUTUAL (FM) RATING IS REQUIRED, ADDITIONAL INSULATION FASTENERS WILL BE REQUIRED AT THE ROOF PERIMETER AND CORNERS. REFER TO FM LOSS PREVENTION DATA SHEETS 1-28 AND 1-29 OR CONTACT WEATHERBOND FOR CLARIFICATION.
3. FOR CRITERIA ON INSULATION FASTENERS AND PLATES, SEE SPECIFICATION.

WFA-27.1

INSULATION ATTACHMENT

WEATHERBONDTM

©2009 WEATHERBOND