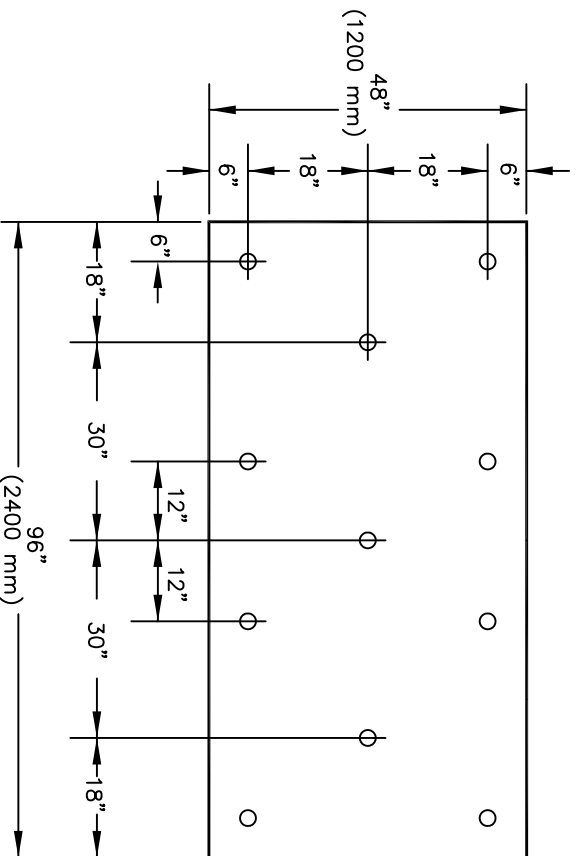
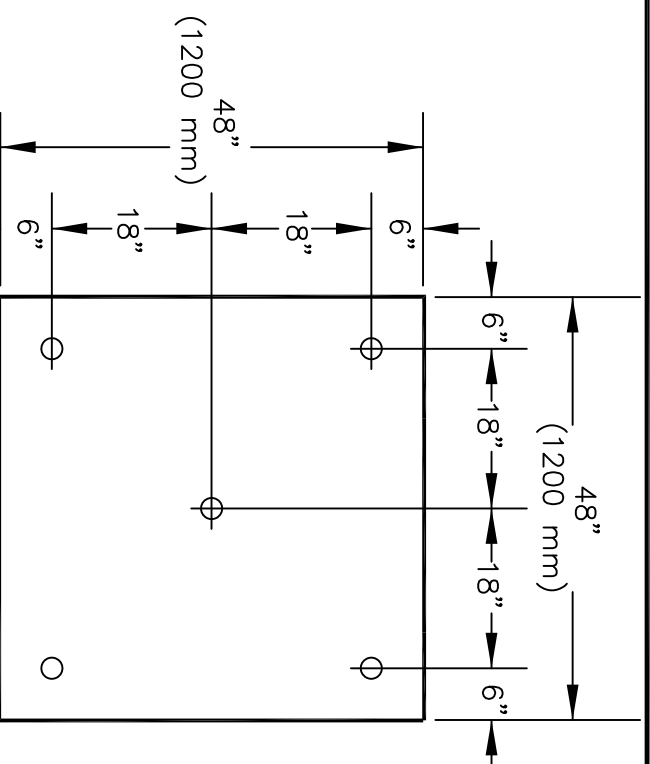


REROOF/NO TEAR-OFF PROJECTS ONLY –  
 MAXIMUM ROOF HEIGHT OF 40' (12.2 m)



4' (1200 mm) x 8' (2400 mm) INSULATION BOARDS



4' (1200 mm) x 4' (1200 mm) INSULATION BOARDS

NOTES:

1. INSULATION ATTACHMENT APPROVED FOR STANDARD 5 OR 10 YEAR WARRANTY AND BASIC WIND SPEED COVERAGE.
2. THIS INSULATION ATTACHMENT IS NOT FOR USE ON CEMENTITIOUS WOOD FIBER OR GYPSUM DECKS.

WFA-27.5

INSULATION FOR REROOF/NO TEAR-OFF PROJECTS

**WEATHERBOND™**

©2009 WEATHERBOND