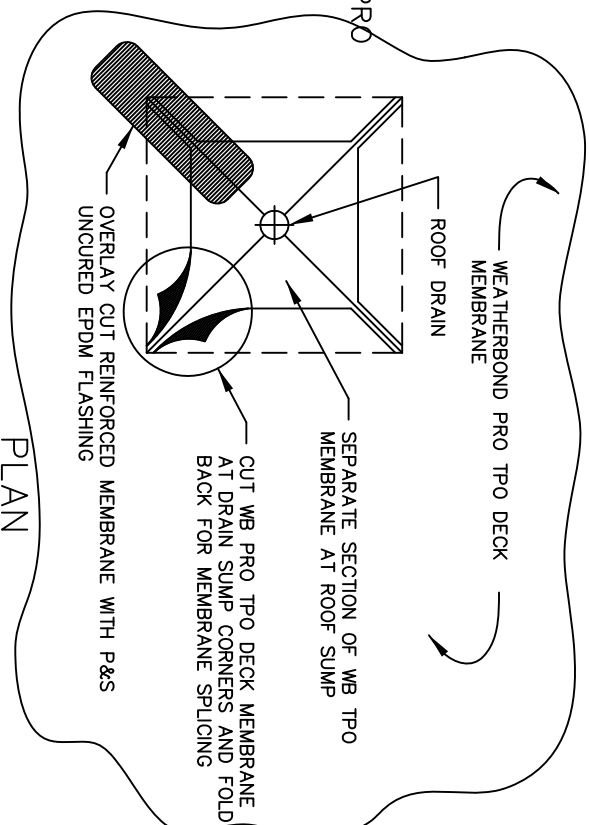
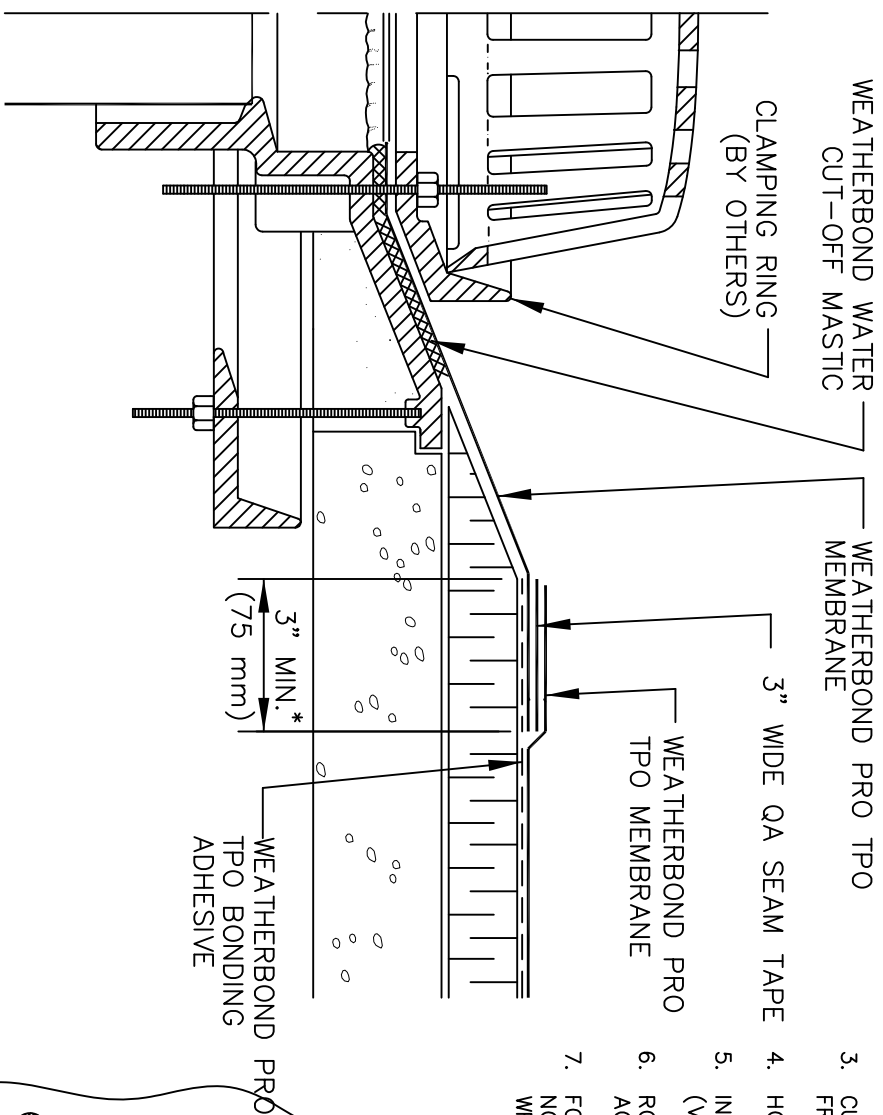


FOR DRAINS WITH TAPERED INSULATION AT DRAIN
 SUMP GREATER THAN 3" (75 mm) TO 1 HORIZONTAL FOOT (300 mm)

NOTES:

1. REMOVE ALL LEAD AND OTHER FLASHING.
2. ALL BOLTS AND CLAMPS MUST BE IN PLACE TO PROVIDE CONSTANT COMPRESSION ON WATER CUT-OFF MASTIC.
3. CUT THE MEMBRANE SO IT EXTENDS A MINIMUM OF 1/2" (13 mm) FROM THE ATTACHMENT POINTS OF THE DRAIN CLAMPING RING.
4. HOLE ON MEMBRANE MUST EXCEED SIZE OF DRAIN PIPE.
5. INSULATION TAPER SHALL NOT BE STEEPER THAN 6" (150 mm) (VERTICAL) IN 12" (300 mm) (HORIZONTAL).
6. ROOF DRAIN SIZE AND NUMBER OF DRAINS SHALL BE IN ACCORDANCE WITH LOCAL CODES.
7. FOR THE APPLICATION OF ROOF DRAINS IN CONJUNCTION WITH NON-REINFORCED EPDM MEMBRANE ROOFING ASSEMBLIES, REFER TO WFC-6 DETAILS.



WFA-6
 ROOF DRAIN SUMP