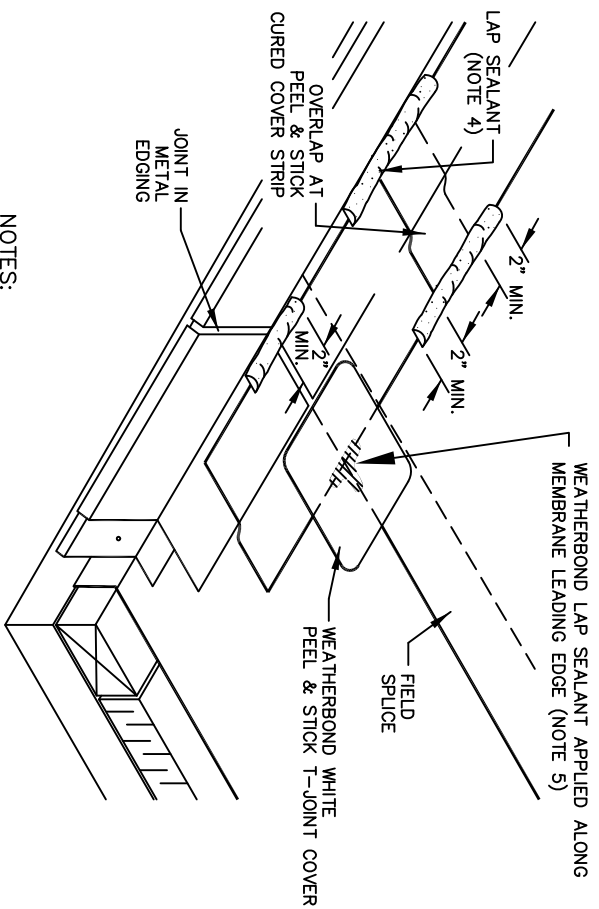
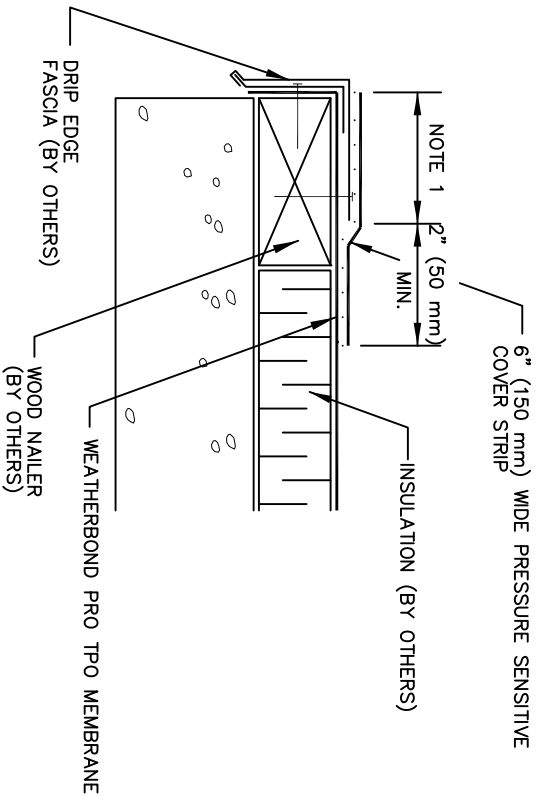


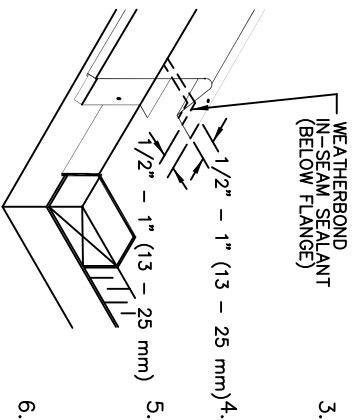
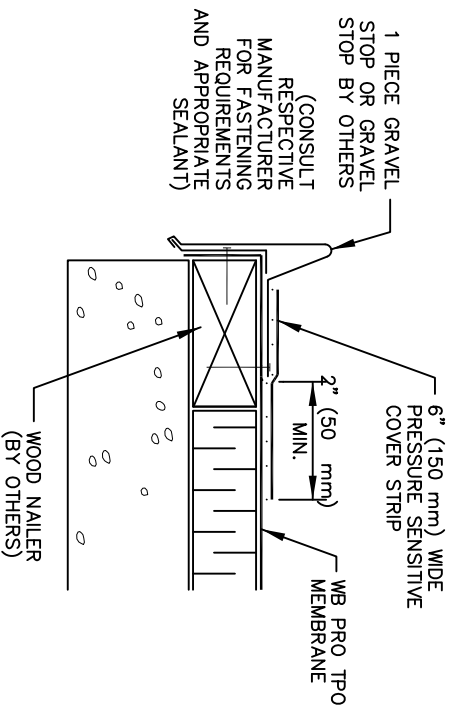
WFC-1.1 (OPTION #1)



NOTES:

1. DECK FLANGE MUST BE TOTALLY COVERED BY PS COVERSTRIP WITH MINIMUM 2" (50 mm) COVERAGE PAST NAIL HEADS.
2. TO REMOVE FINISHING OILS, SCRUB METAL FLANGE WITH WEATHERED MEMBRANE CLEANER; ALLOW TO DRY PRIOR TO APPLYING TPO PRIMER.

WFC-1.1 (OPTION #2)



3. APPLY WEATHERBOND TPO PRIMER TO METAL FLANGE AND TPO MEMBRANE SURFACE PRIOR TO INSTALLING PS COVERSTRIP.
4. LAP SEALANT MUST BE APPLIED AT FLASHING OVERLAPS AND INTERSECTIONS WITH JOINTS IN METAL EDGING.
5. APPLY LAP SEALANT ALONG THE LEADING EDGE OF THE MEMBRANE SPLICE (UNDER THE 6" X 6" T-JOINT COVER) COVERING THE EXPOSED SEAM TAPE 2" (50 mm) IN ALL DIRECTIONS FROM THE SPLICE INTERSECTION.
6. REFER TO APPLICABLE METAL EDGING INSTALLATION INSTRUCTION MANUAL FOR STEP-BY-STEP INSTALLATION PROCEDURES.

WFC-1.1 (OPTION 1 & 2)

METAL EDGE TERMINATION WITH PRESSURE SENSITIVE COVER STRIP

**WEATHERBOND™**

©2009 WEATHERBOND