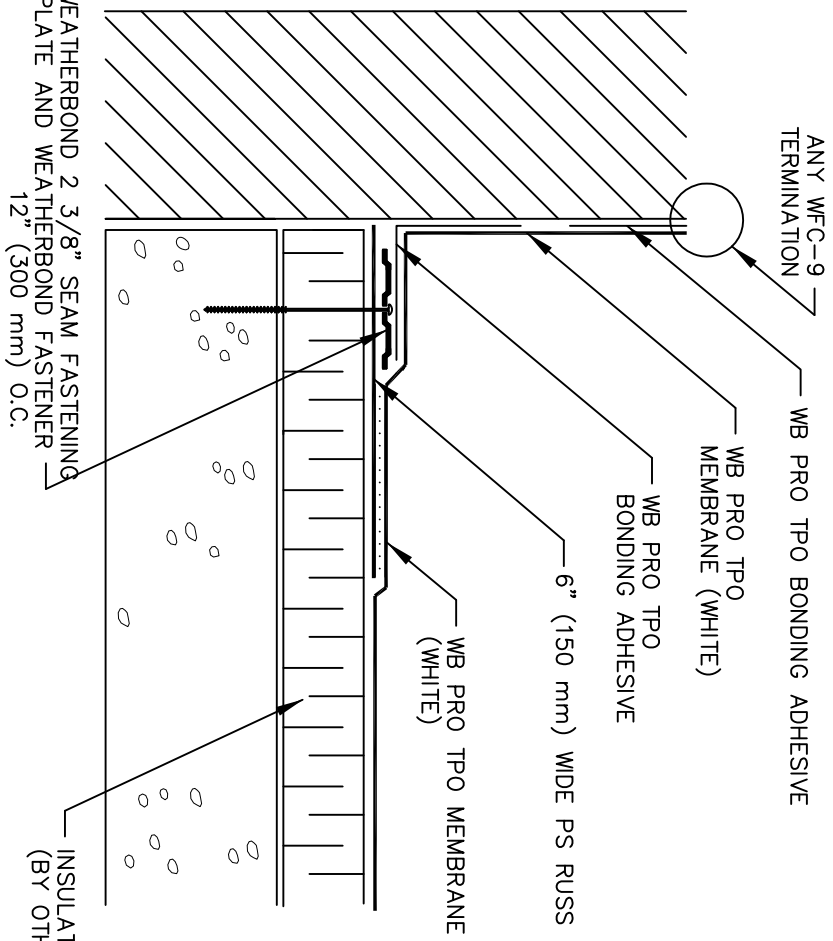
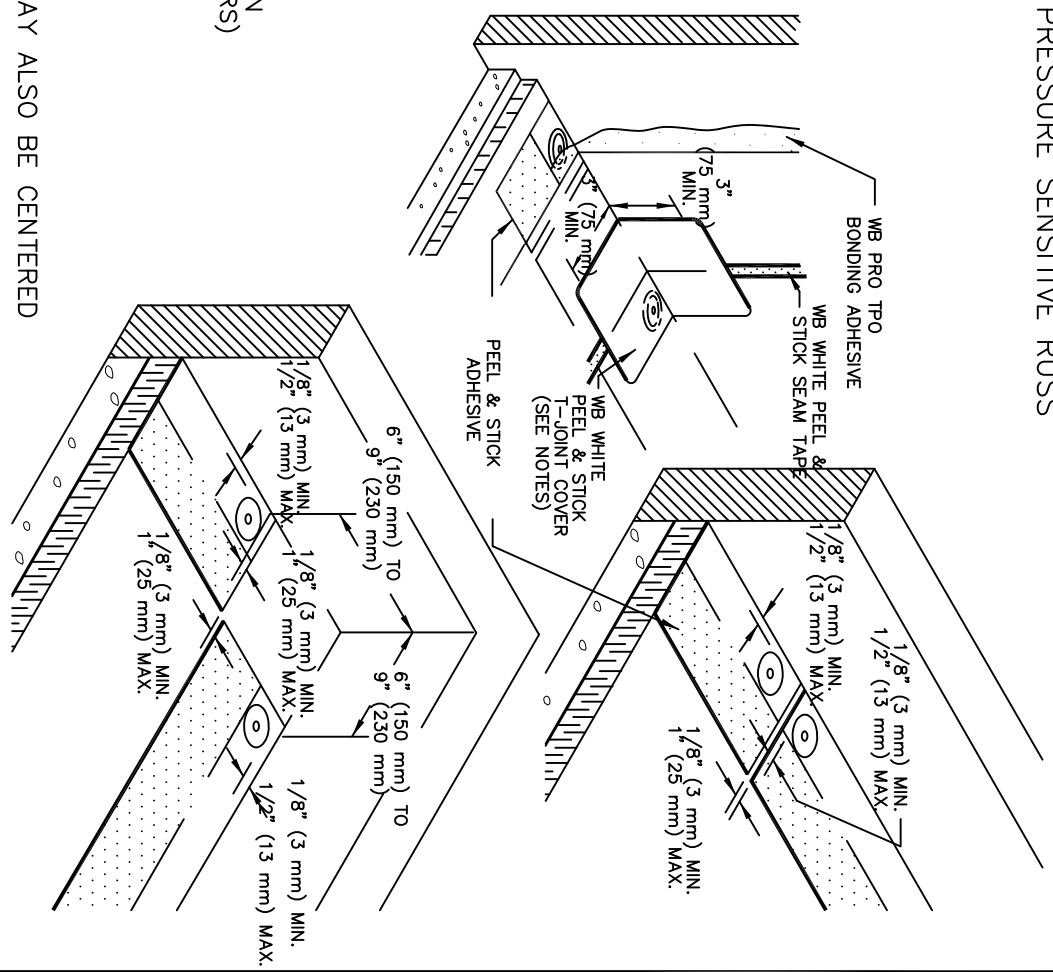


WB PRO TPO PRIMER MUST BE APPLIED TO BACK SIDE OF TPO PRIOR TO ADHERING MEMBRANE TO PRESSURE SENSITIVE RUSS



- NOTES:
1. FOR CORNER APPLICATION, SEE DETAIL WFC-15.4.
  2. 6" (150 mm) WIDE PEEL & STICK UNCURED EPDM FLASHING MAY ALSO BE CENTERED OVER FIELD SPLICE AT ANGLE CHANGE.



WFC-12.3

WALL FLASHING WITH PRESSURE SENSITIVE RUSS



©2009 WEATHERBOND