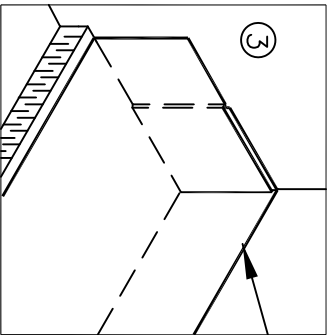
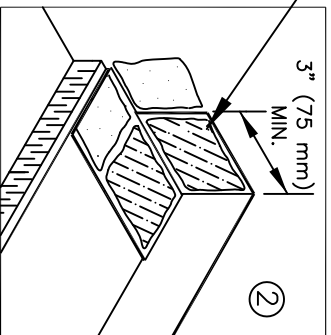


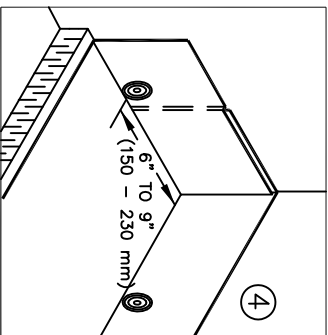
P&S SEAM TAPE/TPO PRIMER
WEATHERBOND TPO BONDING ADHESIVE
WEATHERBOND PRO TPO MEMBRANE (WHITE)



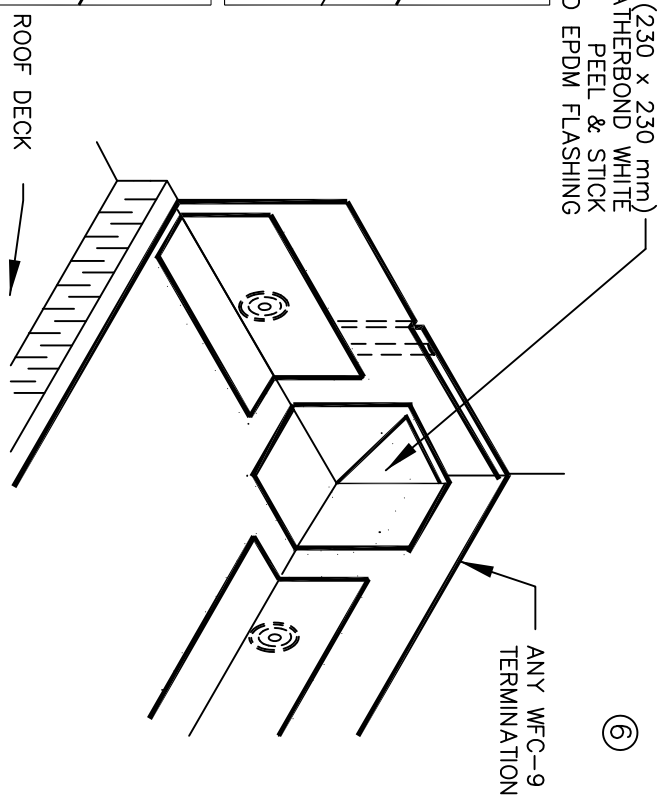
WEATHERBOND PRO WHITE TPO MEMBRANE



9" X 9" (230 x 230 mm) MIN. WEATHERBOND WHITE PEEL & STICK UNCURED EPDM FLASHING



6" WIDE WEATHERBOND WHITE CURED COVER STRIP



- NOTES:
1. INSTALL 2 $\frac{3}{8}$ " SEAM FASTENING PLATES 6" TO 9" (150 - 230 mm) AWAY FROM CORNER.
 2. FOR USE OF WEATHERBOND WHITE PEEL & STICK INSIDE CORNER FLASHING, REFER TO WFC-15.5.
 3. PEEL & STICK UNCURED EPDM FLASHING OR WEATHERBOND WHITE INSIDE/OUTSIDE CORNERS MUST BE USED.

WFC-15.2

INSIDE CORNER CONTINUOUS TPO WALL FLASHING

WEATHERBOND
©2009 WEATHERBOND