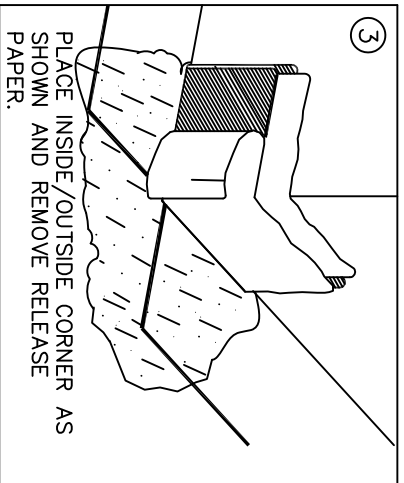
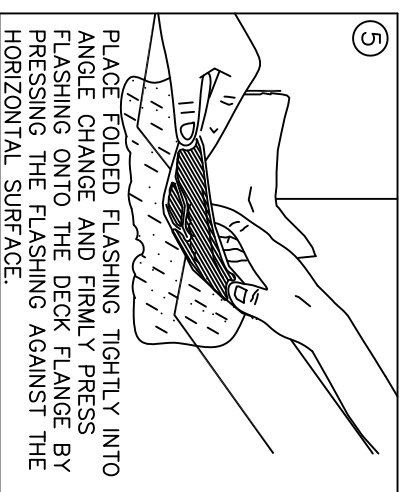


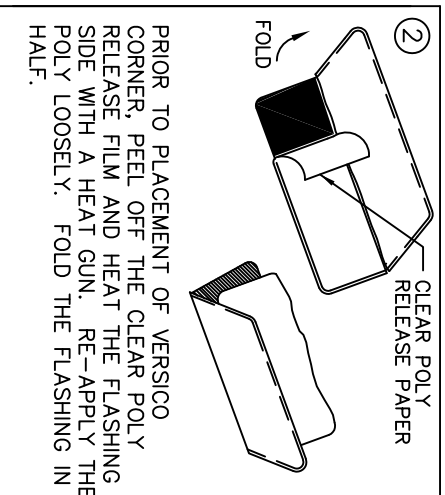
CLEAN THE DRY SPLICE AREA OF THE TPO MEMBRANE BY SCRUBBING WITH TPO PRIMER.



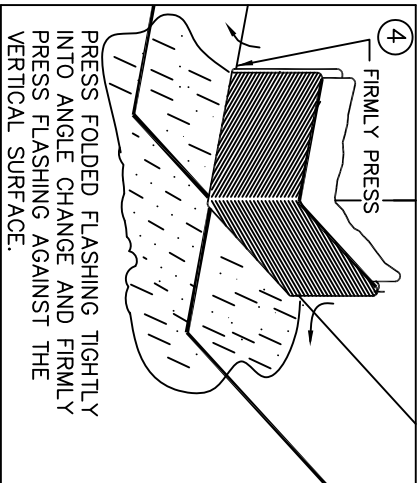
PLACE INSIDE/OUTSIDE CORNER AS SHOWN AND REMOVE RELEASE PAPER.



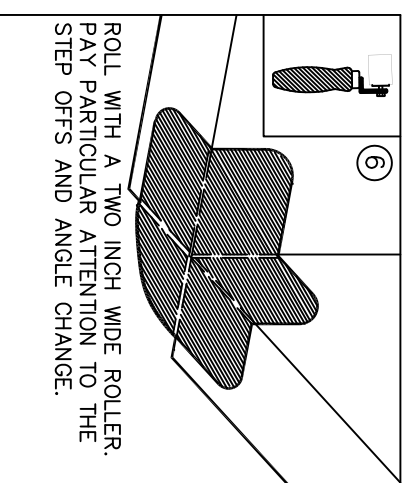
PLACE FOLDED FLASHING TIGHTLY INTO ANGLE CHANGE AND FIRMLY PRESS FLASHING ONTO THE DECK FLANGE BY PRESSING THE FLASHING AGAINST THE HORIZONTAL SURFACE.



PRIOR TO PLACEMENT OF VERSICO CORNER, PEEL OFF THE CLEAR POLY RELEASE FILM AND HEAT THE FLASHING SIDE WITH A HEAT GUN. RE-APPLY THE POLY LOOSELY. FOLD THE FLASHING IN HALF.



PRESS FOLDED FLASHING TIGHTLY INTO ANGLE CHANGE AND FIRMLY PRESS FLASHING AGAINST THE VERTICAL SURFACE.



ROLL WITH A TWO INCH WIDE ROLLER. PAY PARTICULAR ATTENTION TO THE STEP OFFS AND ANGLE CHANGE.

WFC-15.6

PEEL & STICK OUTSIDE CORNER

WEATHERBOND

© 2009 WEATHERBOND