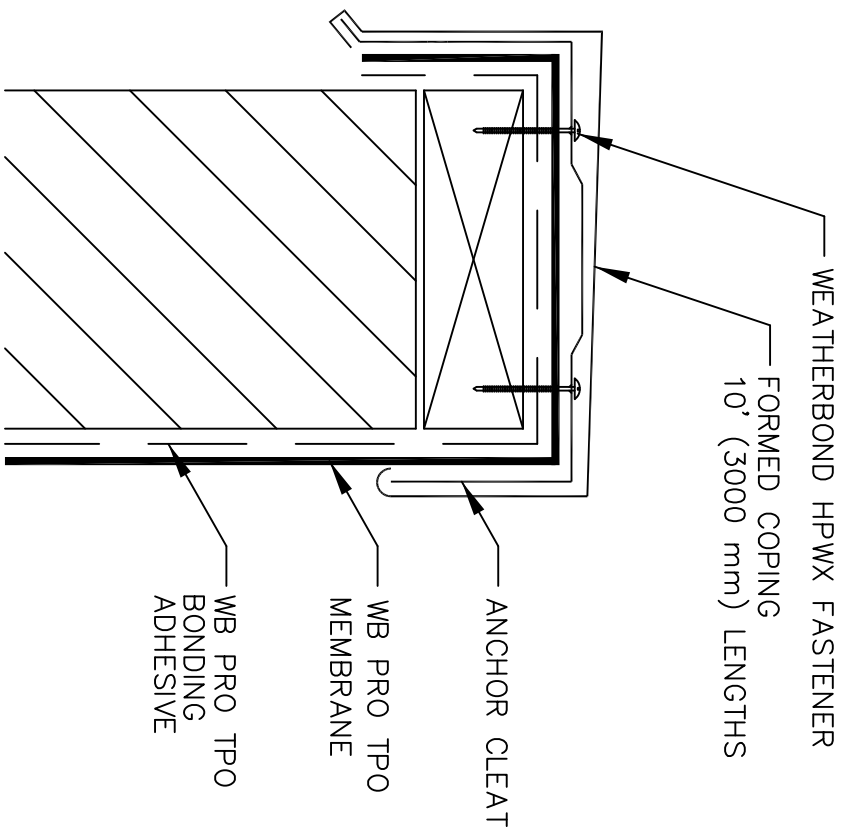
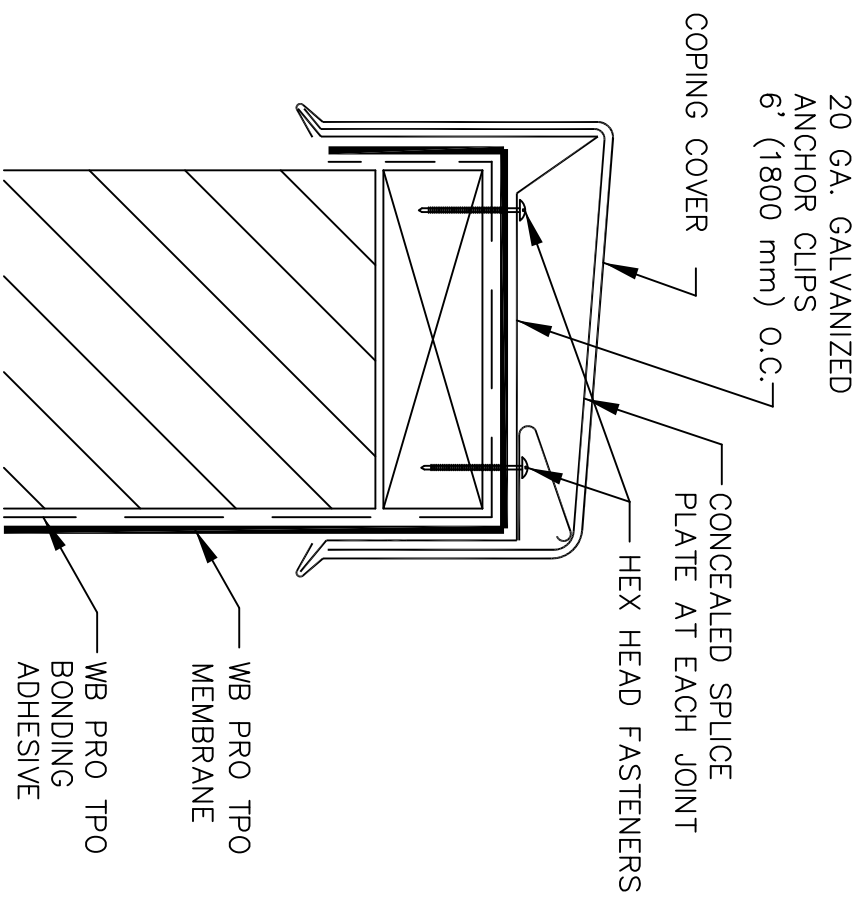


MEMBRANE SHOULD BE EXTENDED AT CORNERS TO PROVIDE COMPLETE COVERAGE OF THE TOP WALL SURFACE



OPTION 1 METAL EDGING (BY OTHERS)



OPTION 2 METAL EDGING (BY OTHERS)

WFC-9.9

METAL COPING

**WEATHERBOND**<sup>™</sup>

©2009 WEATHERBOND