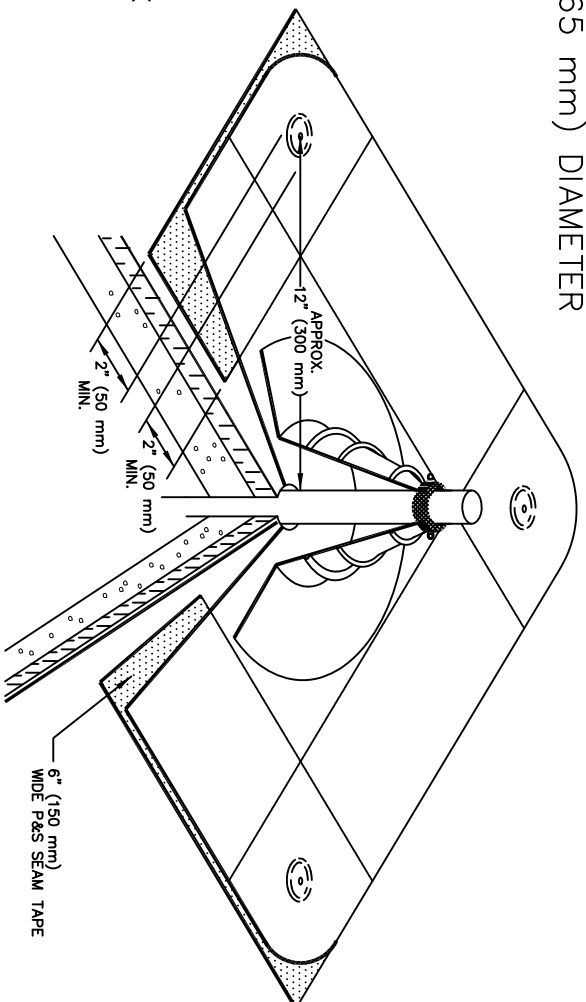
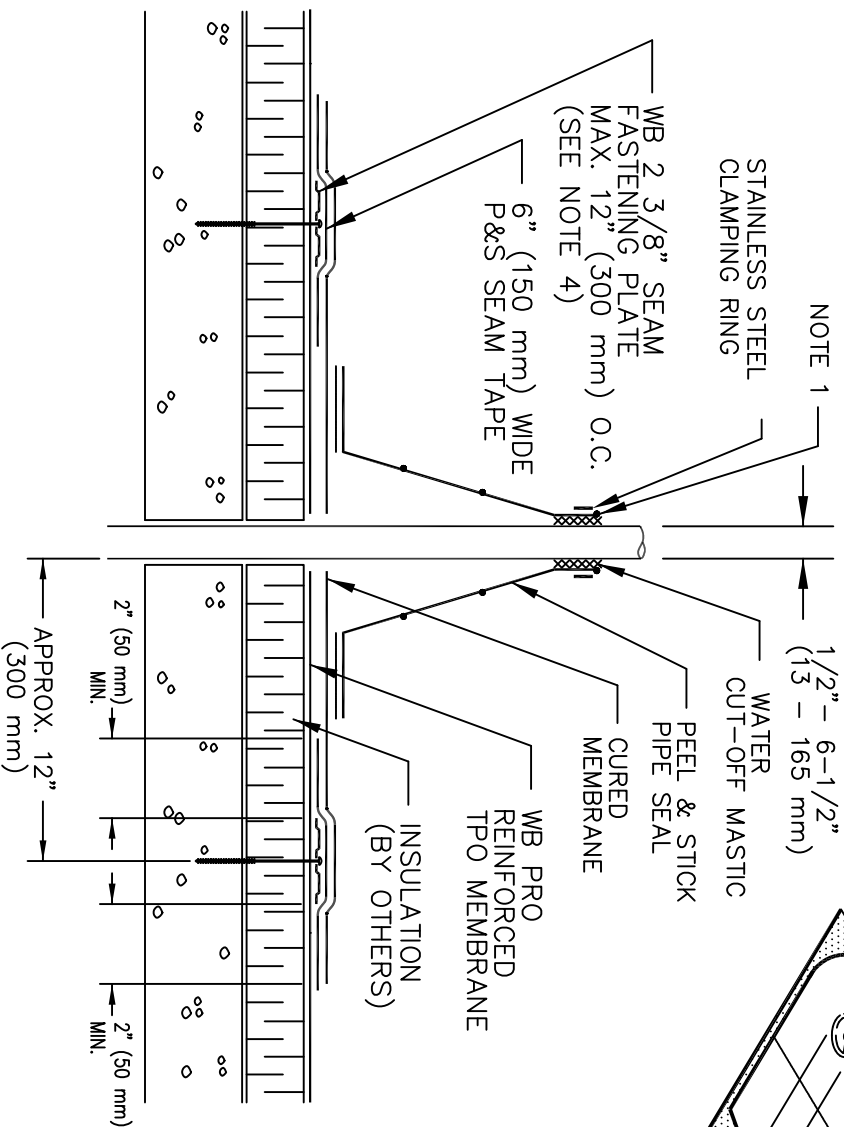


FOR PIPES BETWEEN 1/2" (13 mm) TO 6-1/2" (165 mm) DIAMETER



NOTES:

1. PRE-MOLDED PIPE SEAL MUST HAVE INTACT RIB AT TOP EDGE REGARDLESS OF PIPE DIAMETER.
2. WB 2 3/8" SEAM FASTENING PLATES ARE ALSO REQUIRED AROUND FIELD FABRICATED PIPE SEALS (WFC-14 DETAILS).
3. INSTALL A MINIMUM OF 4 SEAM FASTENING PLATES FOR PIPES WITH A DIAMETER UP TO 6" (150 mm). ADDITIONAL SEAM FASTENING PLATES WILL BE REQUIRED FOR GREATER THAN 6" (150 mm) IN DIAMETER AND SHALL BE SPACED 12" (300 mm) ON CENTER MAXIMUM.

WFMA-8.1

VENT PIPE FLASHING

WEATHERBOND

©2009 WEATHERBOND