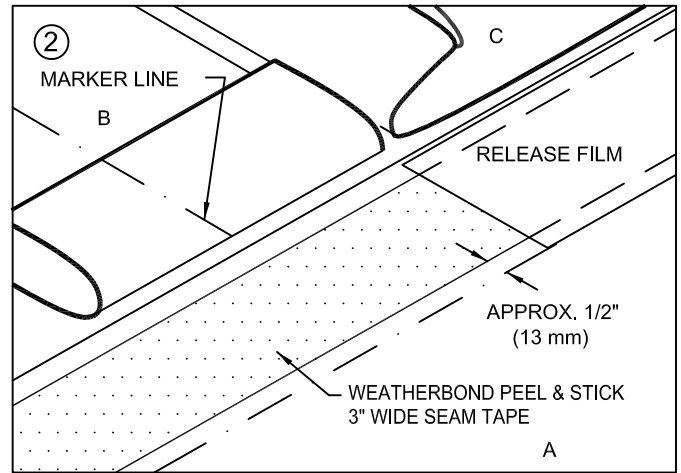
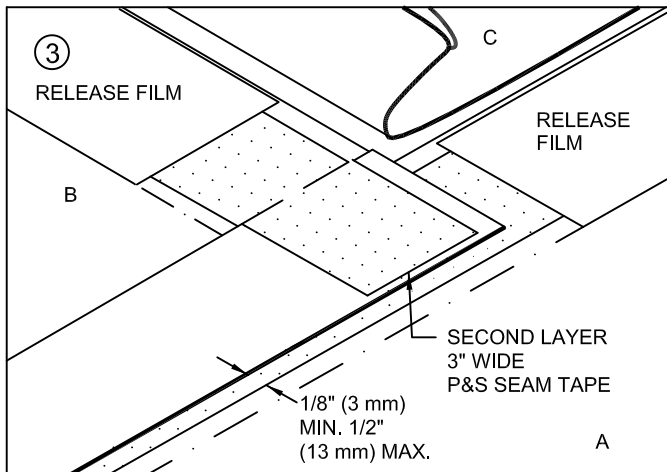


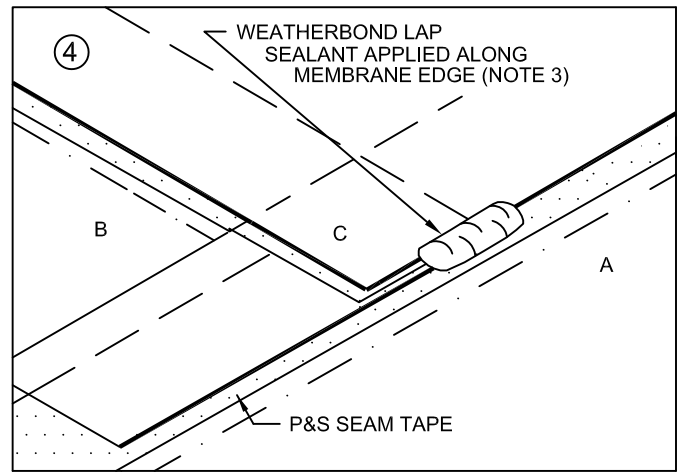
POSITION MEMBRANE TO ALLOW AN APPROXIMATE 3" (75 mm) OVERLAP. MARK THE BOTTOM SHEET WITH AN INDELIBLE MARKER 1/2" (13 mm) FROM THE EDGE OF THE TOP SHEET AS SHOWN. THE PRE-MARKED LINE ON THE MEMBRANE EDGE CAN ALSO BE USED AS A GUIDE.



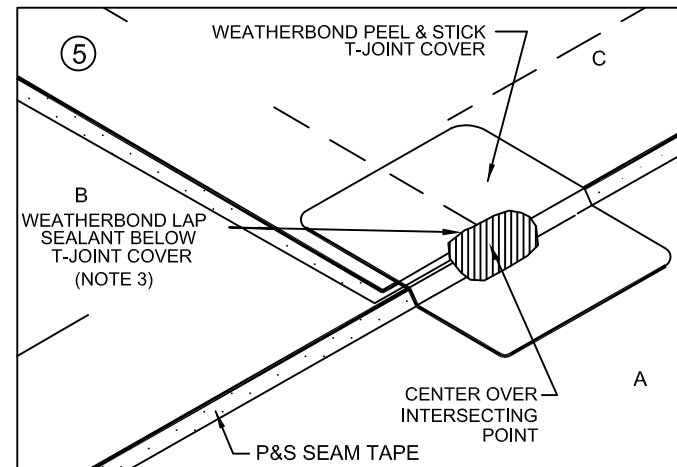
FOLD SHEETS BACK AS SHOWN. APPLY TPO PRIMER TO THE SPLICE AREA ON BOTH SURFACES AND ALLOW TO PROPERLY DRY. APPLY P&S SEAM TAPE WITH RELEASE FILM ALIGNED WITH MARKER LINE.



SPLICE SHEET B TO SHEET A AND APPLY SECOND PIECE OF PEEL & STICK SEAM TAPE BETWEEN SHEET B AND C. TRIM RELEASE FILM AS SHOWN.



SPLICE SHEET C TO SHEET A AND B. PRESS TOP SHEET ONTO BOTTOM SHEET USING HAND PRESSURE TOWARD THE OUTER EDGE OF THE SPLICE AND ROLL THE SPLICE AREA WITH A 2" (50 mm) WIDE STEEL ROLLER.



APPLY WEATHERBOND P&S T-JOINT COVER OR 6" (150 mm) WIDE SECTION OF PEEL & STICK UNCURED FLASHING CENTERED OVER THE INTERSECTING POINT OF THE LEADING EDGES OF THE FIELD SPLICE INTERSECTION AS SHOWN.

NOTES:

1. PEEL & STICK UNCURED FLASHING MAY BE USED IN LIEU OF PEEL & STICK T-JOINT COVER AT FIELD SPLICE INTERSECTIONS.
2. THE USE OF LAP SEALANT ALONG ENTIRE SPLICE EDGE IS OPTIONAL, EXCEPT AT CUT EDGES OF REINFORCED MEMBRANE AND TAPE OVERLAPS. REFER TO DETAIL C-2.2.
3. APPLY LAP SEALANT ALONG THE EDGE OF THE MEMBRANE SPLICE (UNDER THE 6" x 6" T-JOINT COVER) COVERING THE EXPOSED SEAM TAPE 2" (50 mm) IN EACH DIRECTION FROM THE SPLICE INTERSECTION.

WFC-2.3

P&S SEAM TAPE SPLICE INTERSECTION

WEATHERBOND™

©2009 WEATHERBOND