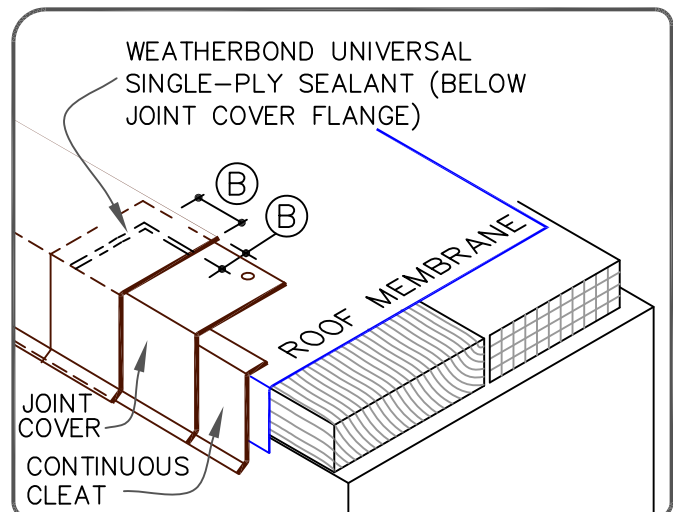


TPO ONLY
(NOT FOR PVC)

NOTES:

1. METAL FASCIA DECK FLANGE MUST BE TOTALLY COVERED BY TPO PEEL & STICK COVER STRIP WITH MINIMUM 2" (51mm) COVERAGE PAST NAIL HEADS.
2. WOOD NAILER MUST EXTEND PAST TOTAL WIDTH OF METAL FASCIA DECK FLANGE.
3. TO REMOVE FINISHING OILS, SCRUB METAL FLANGE WITH WEATHERED MEMBRANE CLEANER; ALLOW TO DRY PRIOR TO APPLYING PRIMER.
4. APPLY TPO PRIMER TO METAL FLANGE AND MEMBRANE SURFACE PRIOR TO INSTALLING TPO PEEL & STICK COVER STRIP.
5. WHEN METAL FASCIA BY OTHERS IS USED, FASTENER TYPE AND FASTENING FREQUENCY SHALL BE RECOMMENDED BY METAL EDGE MANUFACTURER.
6. TO ENSURE TPO PEEL & STICK COVER STRIP CONFORMS TO STEP-OFFS, HEAT COVER STRIP AT SPLICE INTERSECTIONS PRIOR TO ROLLING.

DIMENSIONS		mm	
(A)	2"	51	MIN.
(B)	1/2"	13	TO
	1"	25	



TPO DRIP EDGE FASCIA

- ● TPO MEMBRANE
- APPROVED SUBSTRATE
- 0 ● SEE NOTE

THERMOPLASTIC ROOFING SYSTEM

WBPC-1.1