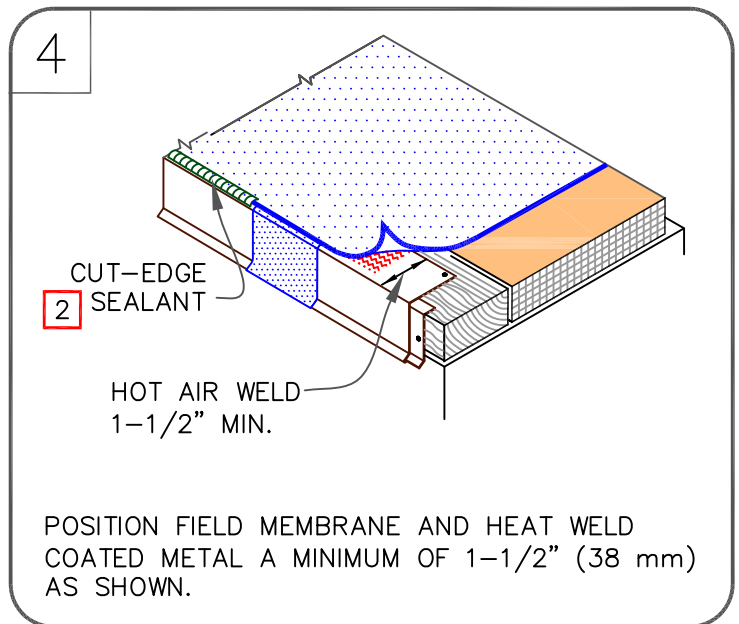
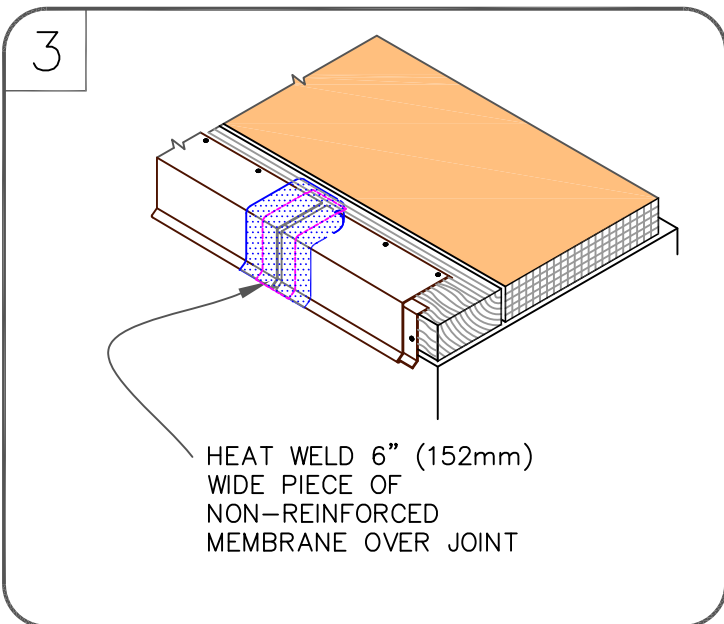
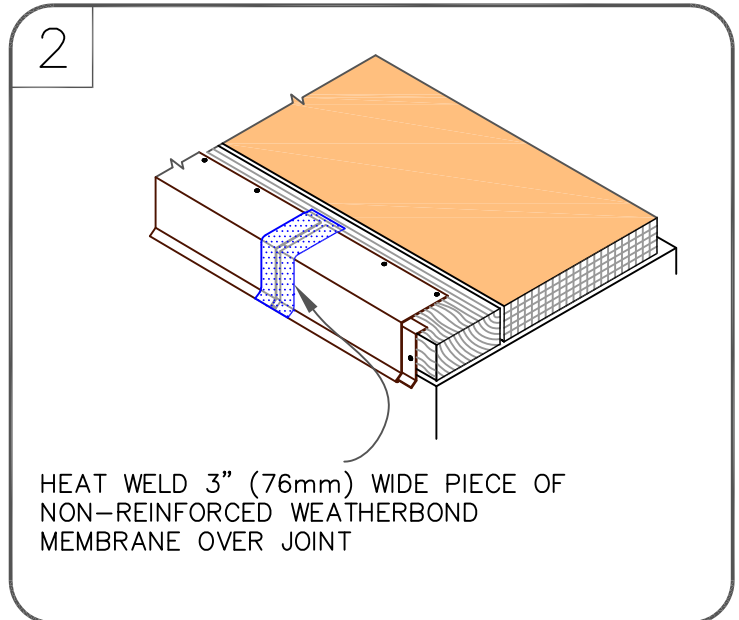
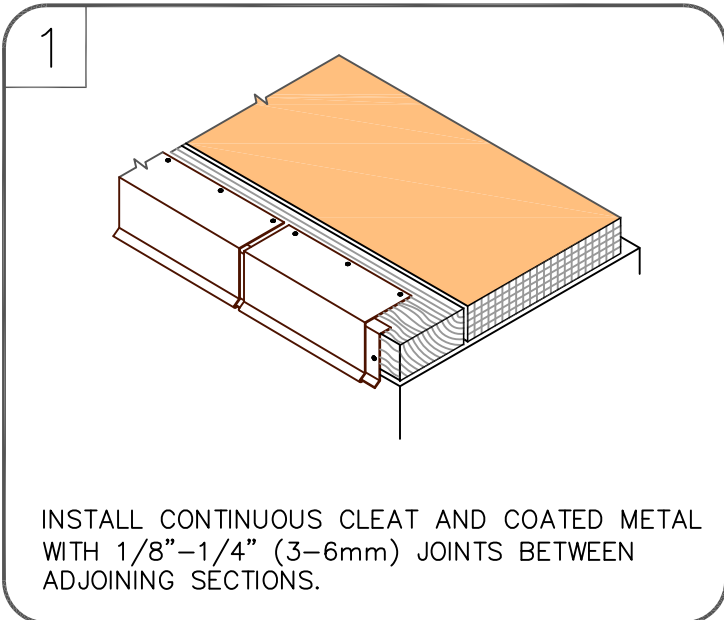


NOTES:

1. WOOD NAILER MUST EXTEND PAST TOTAL WIDTH OF METAL FASCIA DECK FLANGE.
2. APPROXIMATELY 1/8" (3mm) DIAMETER BEAD OF CUT-EDGE SEALANT IS REQUIRED ON CUT EDGES OF WEATHERBOND REINFORCED TPO MEMBRANE AND RECOMMENDED ON CUT EDGES OF WEATHERBOND PVC MEMBRANE.



TPO/PVC WELDABLE DRIP
EDGE FASCIA

- WEATHERBOND THERMOPLASTIC REINFORCED MEMBRANE
- APPROVED SUBSTRATE
- SEE NOTE

THERMOPLASTIC
ROOFING SYSTEM

WBPC-1.2