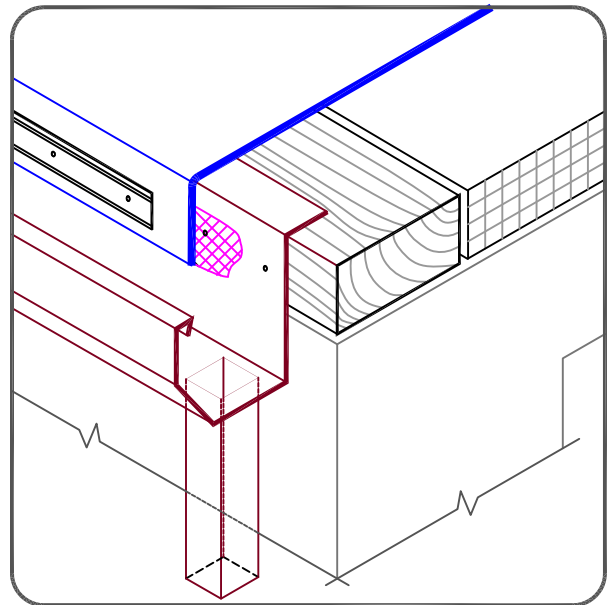





NOTES:

1. FASTENING OF METAL TERMINATION BAR MUST PROVIDE CONSTANT COMPRESSION ON WATER CUT-OFF MASTIC.
2. ALLOW MEMBRANE SHEET TO EXTEND 1/2" (13mm) MINIMUM BELOW THE METAL TERMINATION BAR.



METAL BAR EDGE TERMINATION

	WEATHERBOND THERMOPLASTIC REINFORCED MEMBRANE
	APPROVED SUBSTRATE
	SEE NOTE

THERMOPLASTIC ROOFING SYSTEM
WBPC-1.3