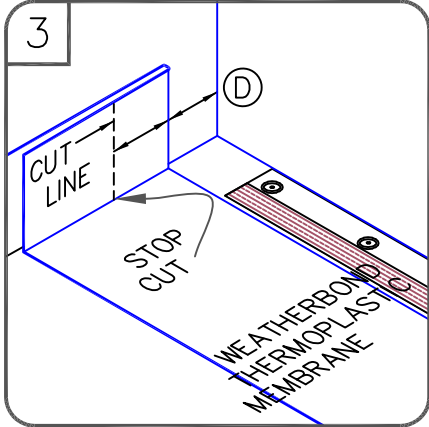
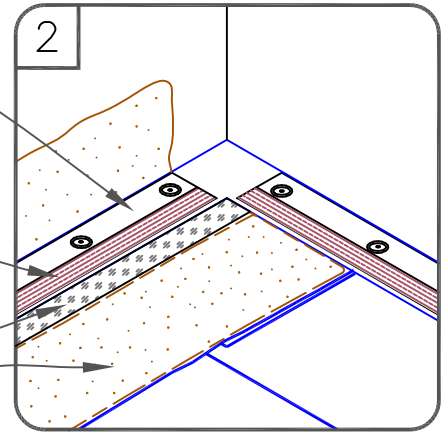
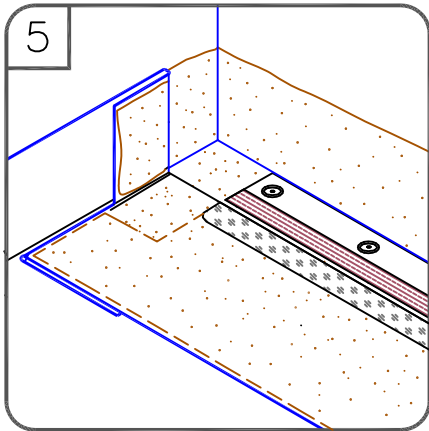
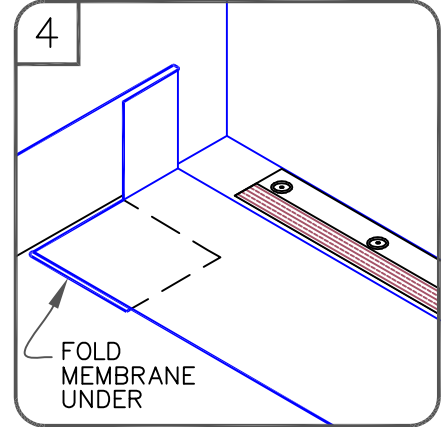


- 6" (152mm) WIDE RUS
- WEATHERBOND FASTENER & SEAM FASTENING PLATE, MAX. 12" (305mm) O.C.
- PRE-APPLIED QUICK APPLIED TAPE
- TPO PRIMER
- WEATHERBOND BONDING ADHESIVE



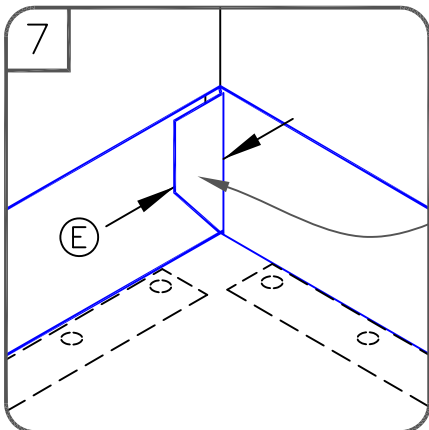
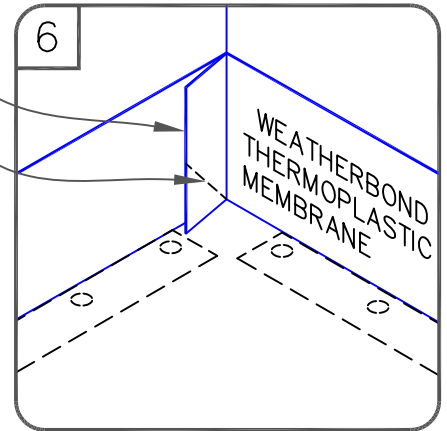
| DIMENSIONS |        |     |      |
|------------|--------|-----|------|
|            |        | mm  |      |
| (A)        | 6"     | 152 | TO   |
|            | 9"     | 229 |      |
| (B)        | 1/8"   | 3   | MIN. |
|            | 1"     | 25  | MAX. |
| (C)        | 12"    | 305 | MIN. |
| (D)        | 6"     | 152 | MIN. |
| (E)        | 1-1/2" | 38  | MIN. |



- HOT AIR WELD FLAP IN STEP 7
- CUT AT 45°

NOTES:

1. THE CUT SECTION OF VERTICAL MEMBRANE WILL BE FOLDED UNDER THE FIELD MEMBRANE AS SHOWN IN [STEP 4](#).
2. APPLY INSIDE CORNER IN ACCORDANCE WITH WEATHERBOND [DETAILS WBPC-15.1](#) OR [WBPC-15.2](#).



HOT AIR WELD

