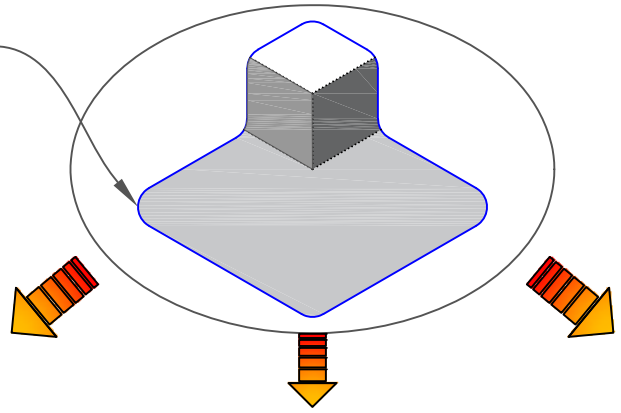


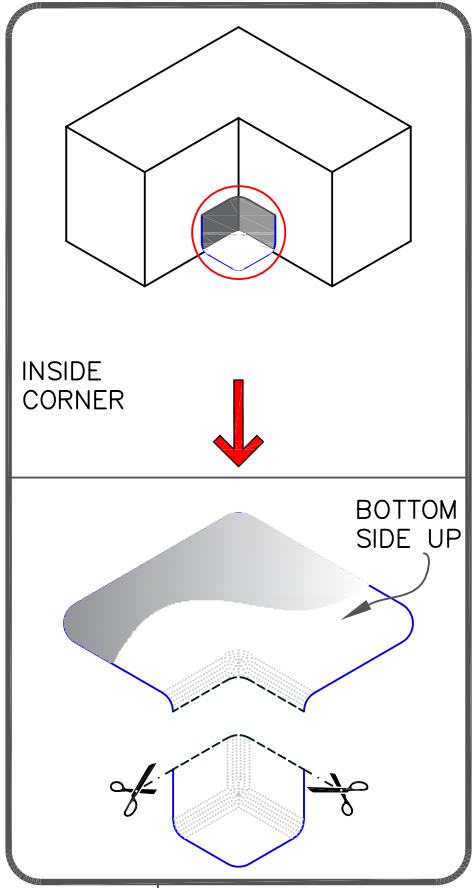
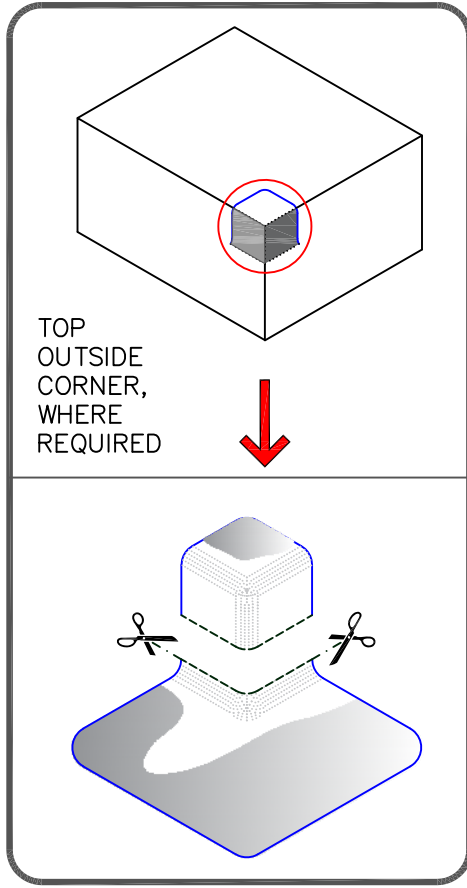
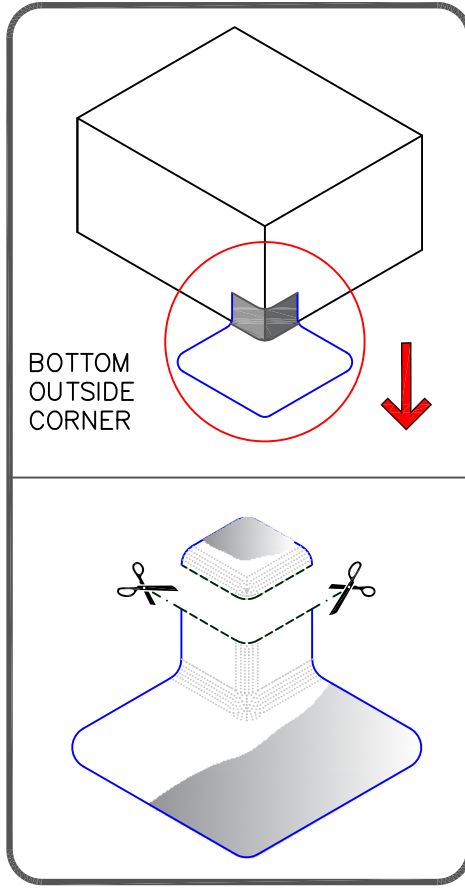
60-MIL (1.27mm) THICK PVC/TPO, UNIVERSAL CORNERS CAN BE USED FOR 3 DIFFERENT CORNER CONDITIONS AS SHOWN BELOW



OPTION A

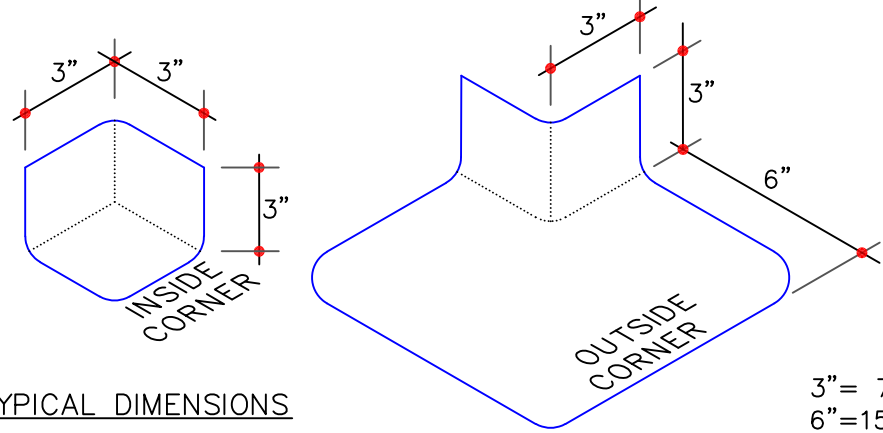
OPTION B

OPTION C



NOTES:

1. ROOF SYSTEMS MUST NOT HAVE FIELD FABRICATED OR BUILT-IN CANT STRIP.
2. REFER TO TECHNICAL DATA BULLETINS FOR COLOR AVAILABILITY.



TYPICAL DIMENSIONS

3" = 76mm
6" = 152mm



PVC OR TPO:
UNIVERSAL CORNERS –
COMBINATION INSIDE &
OUTSIDE CORNERS

- WEATHERBOND THERMOPLASTIC REINFORCED MEMBRANE
- APPROVED SUBSTRATE
- SEE NOTE

THERMOPLASTIC ROOFING SYSTEM
WBPC-15.7