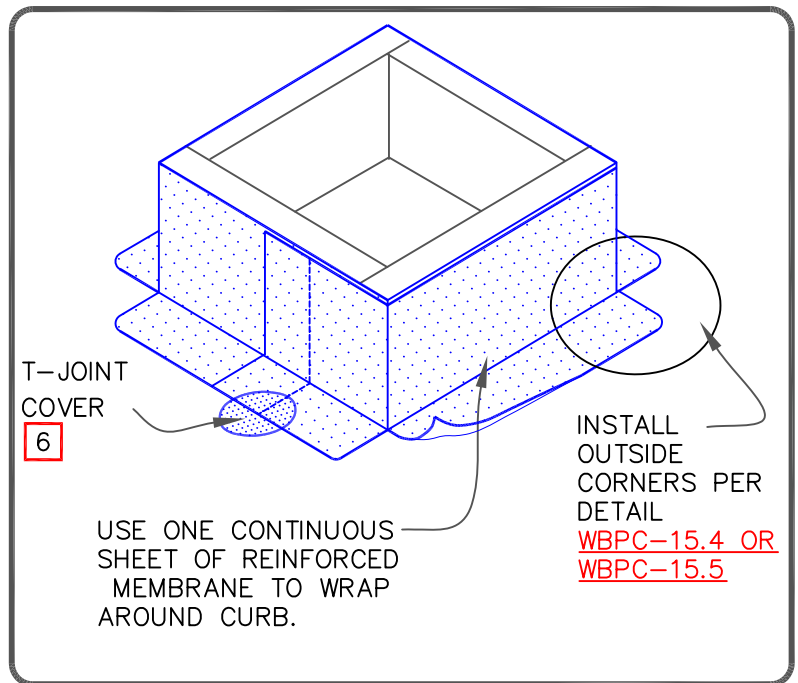
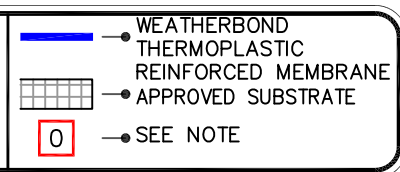


NOTES:

1. WHEN USING TPO MEMBRANE, BONDING ADHESIVE IS NOT REQUIRED WHEN THE FLASHING HEIGHT IS 12" (305mm) OR LESS AND THE MEMBRANE IS FASTENED "AS SHOWN" ON TOP OF THE CURB. WHEN WEATHERBOND TERMINATION BAR IS USED BENEATH THE COUNTER-FLASHING, BONDING ADHESIVE CAN BE ELIMINATED WHEN THE MEMBRANE HEIGHT IS 18" (457mm) OR LESS.
2. WHEN MECHANICAL FASTENERS ARE USED TO PENETRATE THE METAL COUNTER-FLASHING, USE EPDM WASHERS, APPLY WATER CUT-OFF MASTIC UNDER THE COUNTER-FLASHING OR CAULK THE FASTENER HEADS.
3. APPROXIMATELY 1/8" (3MM) DIAMETER BEAD OF CUT-EDGE SEALANT IS REQUIRED ON CUT EDGES OF WEATHERBOND REINFORCED TPO MEMBRANE AND RECOMMENDED ON CUT EDGES OF WEATHERBOND PVC MEMBRANE.
4. REFER TO WEATHERBOND SPECIFICATIONS FOR ACCEPTABLE WEATHERBOND FASTENERS AND PLATES.
5. MECHANICAL SECUREMENT MAY BE INSTALLED INTO THE VERTICAL SUBSTRATE.
6. WHEN USING 60 OR 80 MIL THICK CURB FLASHING, THE INTERSECTIONS BETWEEN SPLICES MUST OVERLAID WITH A WEATHERBOND "T-JOINT" COVER.



CURB FLASHING



THERMOPLASTIC ROOFING SYSTEM
WBPC-5.1