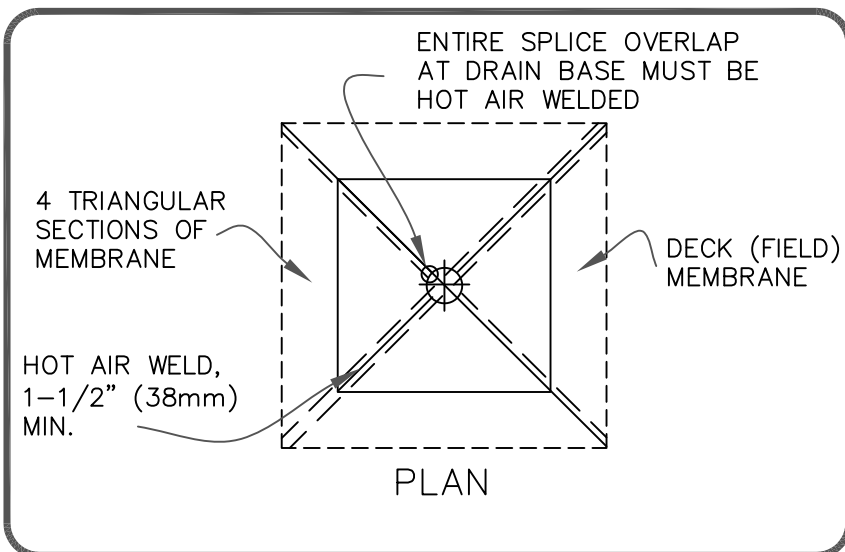
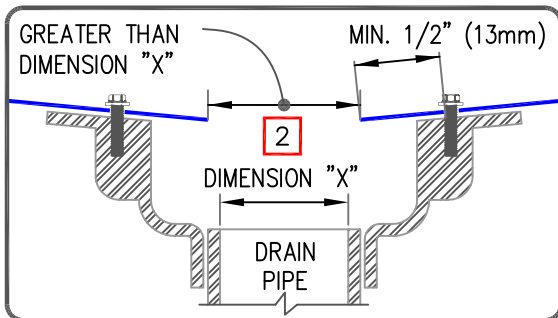


NOTES:

1. ROOF DRAIN SIZE AND NUMBER OF DRAINS SHALL BE IN ACCORDANCE WITH THE LOCAL CODES.
2. THE HOLE IN THE MEMBRANE SHALL EXCEED THE DIAMETER OF THE DRAIN PIPE, BUT SHALL BE NO LESS THAN 1/2" (13mm) FROM THE ATTACHMENT POINTS OF THE DRAIN CLAMPING RING.
3. ALL BOLTS OR CLAMPS MUST BE IN PLACE TO PROVIDE CONSTANT COMPRESSION ON WATER CUT-OFF MASTIC.
4. REMOVE EXISTING LEAD, FLASHING MATERIAL & ENSURE THE DRAIN RING IS COMPLETELY CLEAN DOWN TO BARE METAL.
5. APPROXIMATELY 1/8" (3MM) DIAMETER BEAD OF CUT-EDGE SEALANT IS REQUIRED ON CUT EDGES OF WEATHERBOND REINFORCED TPO MEMBRANE AND RECOMMENDED ON CUT EDGES OF WEATHERBOND PVC MEMBRANE.



ROOF DRAIN (DRAIN SUMP)
GREATER THAN 3" TO 1
HORIZONTAL FOOT)
OPTION 1

	WEATHERBOND THERMOPLASTIC REINFORCED MEMBRANE
	APPROVED SUBSTRATE
	SEE NOTE

THERMOPLASTIC ROOFING SYSTEM
WBPC-6.2