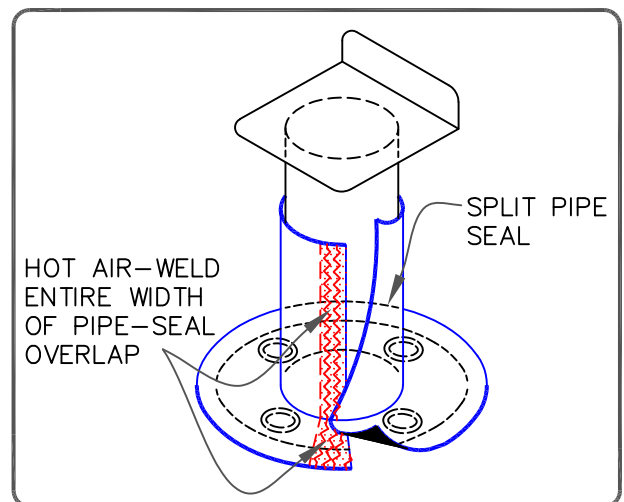


NOTES:

1. REMOVE ALL EXISTING LEAD AND FLASHING MATERIAL BEFORE INSTALLING SPLIT PIPE FLASHING.
2. TEMPERATURE OF THE PIPE PENETRATION MUST NOT EXCEED 140°F (60°C) WHEN USING PVC AND 160°F (71°C) WHEN USING TPO.
3. INSTALL A MINIMUM OF 4 FASTENERS AND PLATES AROUND THE PIPE, EQUALLY SPACED. IF FASTENERS AND PLATES CANNOT BE INSTALLED AS SHOWN, THEY MAY ALSO BE POSITIONED OUTSIDE THE PIPE MAXIMUM 12" (305mm) O.C. AND FLASHED WITH WEATHERBOND THERMOPLASTIC REINFORCED MEMBRANE/CUT-EDGE SEALANT. REFER TO [DETAIL TPC-8.2](#).
4. FASTENERS AND PLATES ARE NOT REQUIRED ON ADHERED SYSTEMS UNLESS PIPE DIAMETER EXCEEDS 18" (457mm). SEE TABLE ON RIGHT FOR MECHANICALLY FASTEND SYSTEM.
5. APPROXIMATELY 1/8" (3MM) DIAMETER BEAD OF CUT-EDGE SEALANT IS REQUIRED ON CUT EDGES OF WEATHERBOND REINFORCED TPO MEMBRANE AND RECOMMENDED ON CUT EDGES OF WEATHERBOND PVC MEMBRANE.
6. REGARDLESS OF THE FIELD MEMBRANE THICKNESS, WEATHERBOND "T-JOINT" COVERS ARE REQUIRED OVER THE SPLICE INTERSECTIONS OF THE SPLIT PIPE SEAL. IF PRE-FABRICATED SPLIT PIPE SEAL IS A "CFA" LABELED PART, NO "T-JOINT" COVERS ARE REQUIRED.

TABLE: FASTENER TYPES ON MECHANICALLY FASTENED ROOF ASSEMBLY

DECK TYPE	FASTENERS	PLATES
STEEL, WOOD	HPWX	
CONCRETE	APPROVED CONCRETE FASTENER	HPWX



PRE-FABRICATED SPLIT PIPE SEAL

- WEATHERBOND THERMOPLASTIC REINFORCED MEMBRANE
- APPROVED SUBSTRATE
- SEE NOTE

THERMOPLASTIC ROOFING SYSTEM
WBPC-8.5