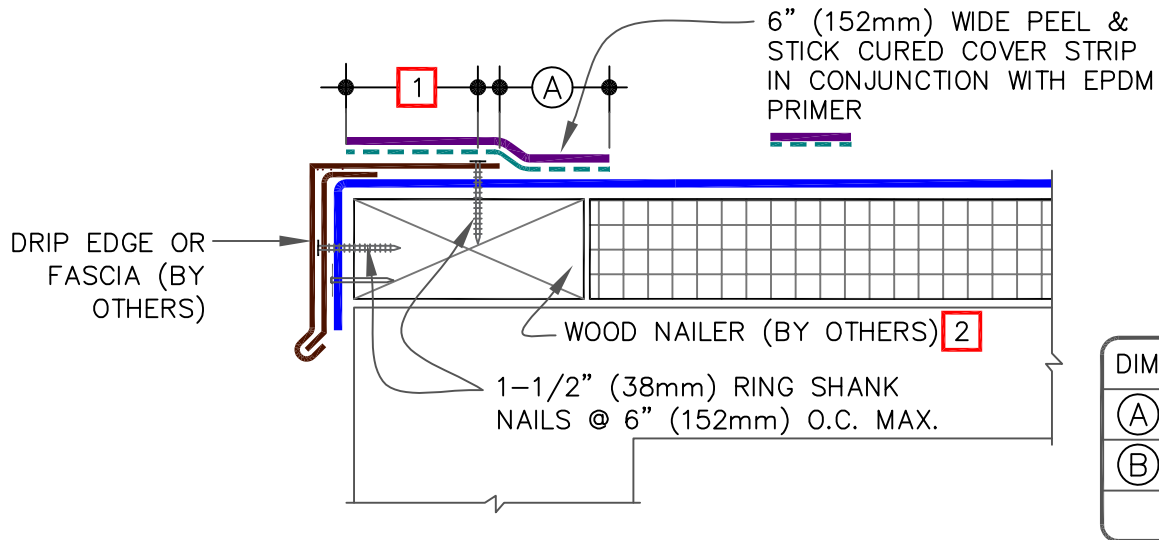


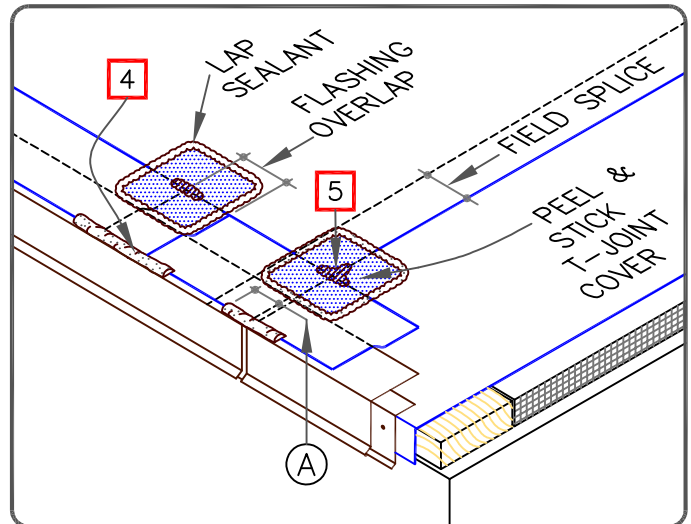
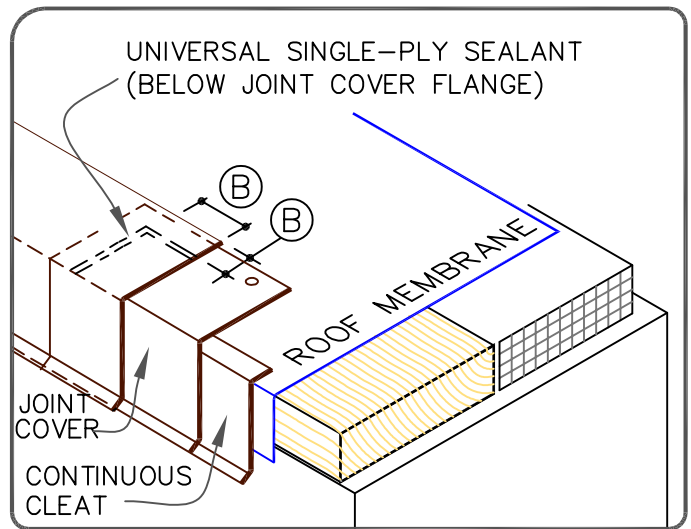
CAUTION DETAIL NOT FOR USE WHEN USING 90-MIL MEMBRANE. ACCEPTABLE EDGING SHALL CONFORM TO EPDM COMMON DETAIL WBRC-1.3.



DIMENSIONS	mm		
(A)	2"	51	MIN.
(B)	1/2"	13	TO
	1"	25	

NOTES:

1. DECK FLANGE MUST BE TOTALLY COVERED WITH MINIMUM 2" (51mm) COVERAGE PAST NAIL HEADS.
2. WOOD NAILER MUST EXTEND PAST TOTAL WIDTH OF METAL EDGE.
3. TO REMOVE FINISHING OILS, SCRUB METAL FLANGE WITH WEATHERED MEMBRANE CLEANER; ALLOW TO DRY PRIOR TO APPLYING PRIMER.
4. LAP SEALANT MUST BE APPLIED AT FLASHING OVERLAPS AND INTERSECTIONS WITH JOINTS IN METAL EDGING.
5. APPLY LAP SEALANT ALONG THE LEADING EDGE OF THE MEMBRANE SPLICE (UNDER THE 6"X6" T-JOINT COVER) COVERING THE EXPOSED SPLICE TAPE 1/2" (13mm) IN ALL DIRECTIONS FROM THE SPLICE INTERSECTION. T-JOINT COVER NOT NEEDED WHEN USING PS OVERLAYMENT STRIP.
6. REFER TO APPLICABLE [WEATHERBOND METAL EDGING INSTRUCTION MANUAL](#) FOR STEP-BY-STEP INSTALLATION PROCEDURES.
7. DETAIL NOT FOR USE WITH DESIGN "B" (BALLASTED STONE ASSEMBLY).



WEATHERBOND DRIP EDGE FASCIA

- EPDM MEMBRANE
- APPROVED SUBSTRATE
- 0 SEE NOTE

EPDM ROOFING SYSTEM
WBRC-1.1A