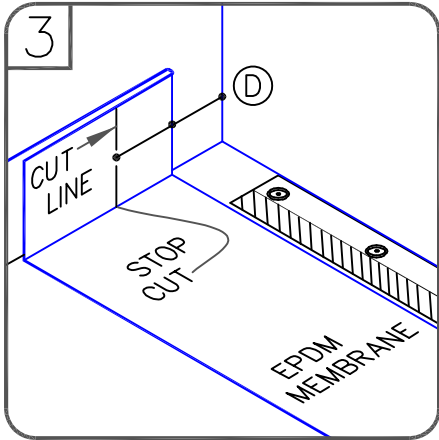
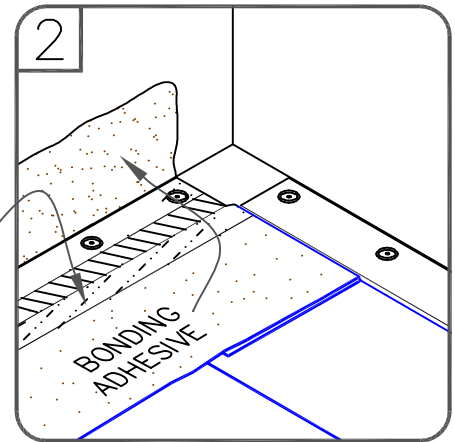


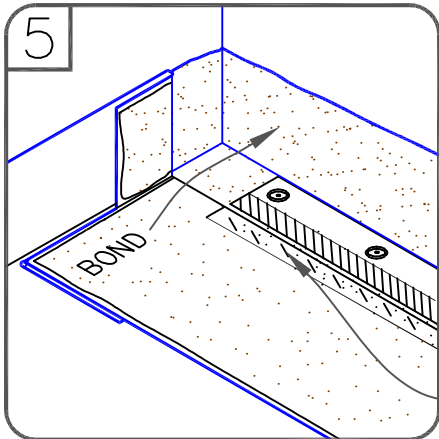
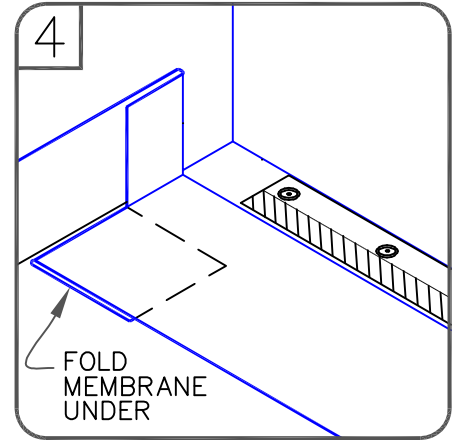
6" (152mm) WIDE PEEL & STICK RPS

WEATHERBOND SEAM FASTENING PLATE & FASTENER.

EPDM PRIMER



DIMENSIONS	mm	
(A) 6"	152	TO
9"	229	
(B) 1/8"	3	MIN.
1"	25	MAX.
(C) 12"	305	MAX.
(D) 6"	152	MIN.

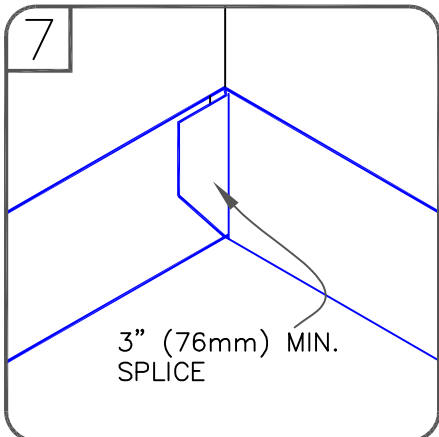
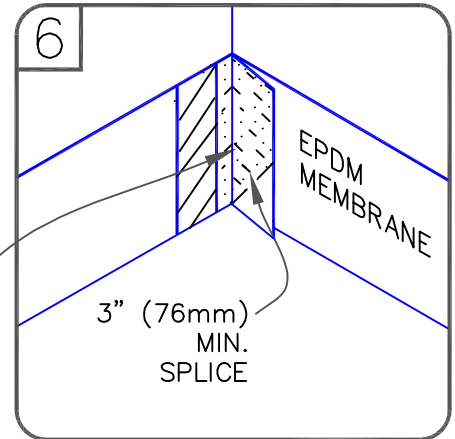


NOTE:

1. PEEL & STICK UNCURED EPDM FLASHING INSIDE / OUTSIDE CORNERS MUST BE USED.
2. AS AN OPTION, 6" (152mm) WIDE PEEL & STICK RPS MAY BE FASTENED INTO THE VERTICAL SUBSTRATE, SEE DETAIL [WBRC-12.1](#).

CUT 45° AND APPLY EPDM PRIMER/P&S SEAM TAPE

EPDM PRIMER



9"X9" (229mm X 229mm) PEEL & STICK UNCURED EPDM FLASHING OR 7"X9" (178mm X 229mm) PRE-CUT PEEL & STICK FLASHING. **FOR PROJECTS USING 90-MIL MEMBRANE, REFER TO DETAIL [WBRC-15.3](#).**

PIG EAR ON OPPOSITE WALL

