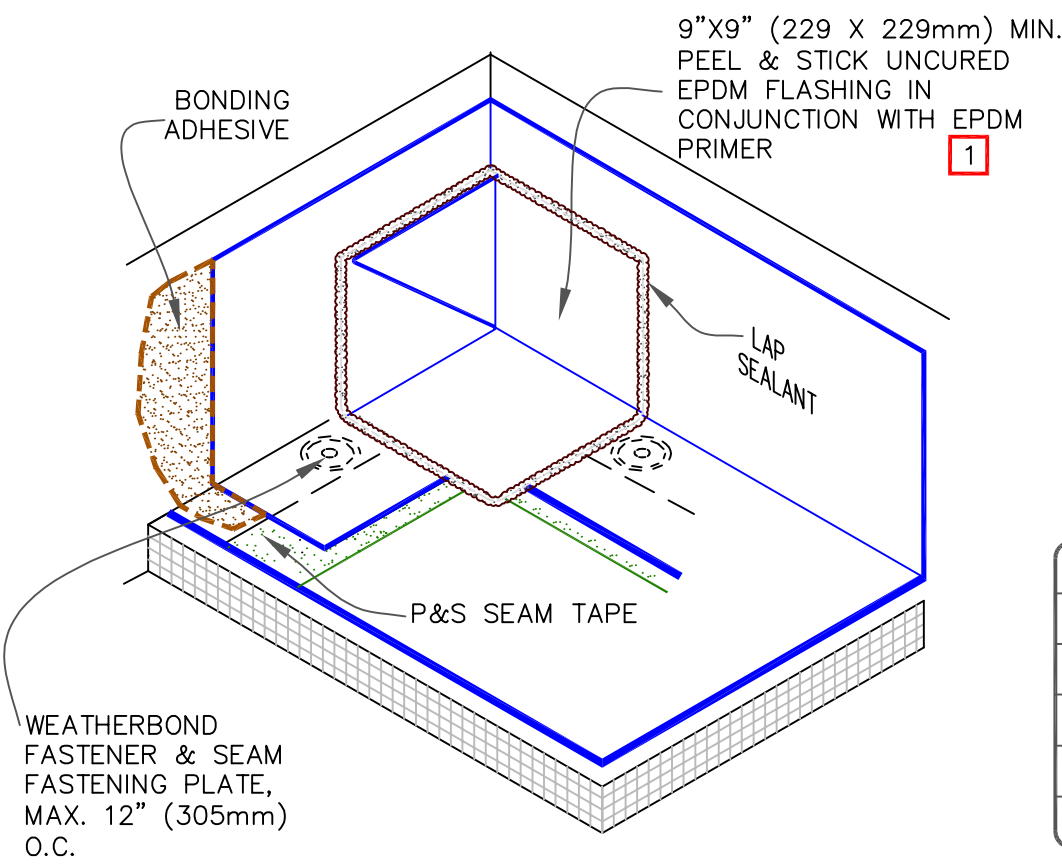
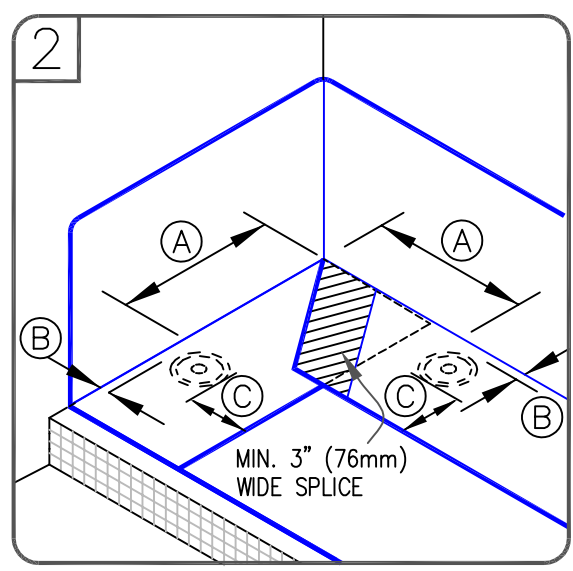
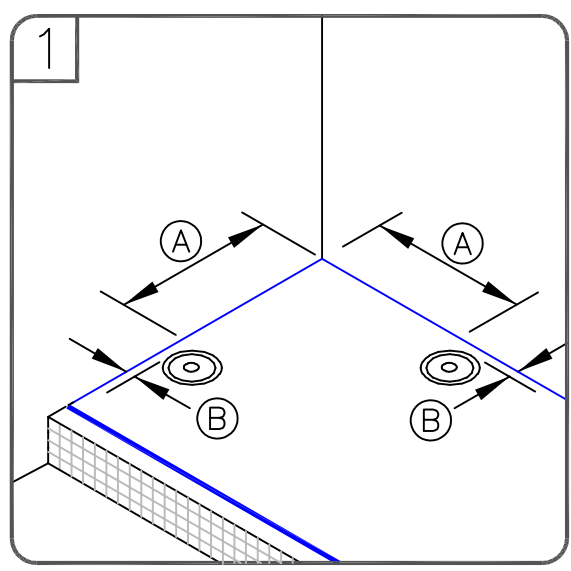


**CAUTION** FOR PROJECTS USING 90-MIL MEMBRANE, REFER TO [DETAIL WBRC-15.4B](#) FOR REQUIRED FLASHING ENHANCEMENTS.



DIMENSIONS		mm	
(A)	6"	152	TO
	9"	229	
(B)	1/8"	3	MIN.
	1"	25	MAX.
(C)	3"	76	MIN.



- NOTES:
1. APPLY EPDM PRIMER TO THE MEMBRANE SURFACES PRIOR TO INSTALLING PEEL & STICK FLASHING.
  2. IN COLDER TEMPERATURES, A HEAT GUN MUST BE USED WHEN FORMING PEEL & STICK UNCURED EPDM FLASHING.



INSIDE CORNER WITH SEPARATE EPDM WALL FLASHING

- EPDM MEMBRANE
- APPROVED SUBSTRATE
- 0 SEE NOTE

EPDM ROOFING SYSTEM  
WBRC15-4A