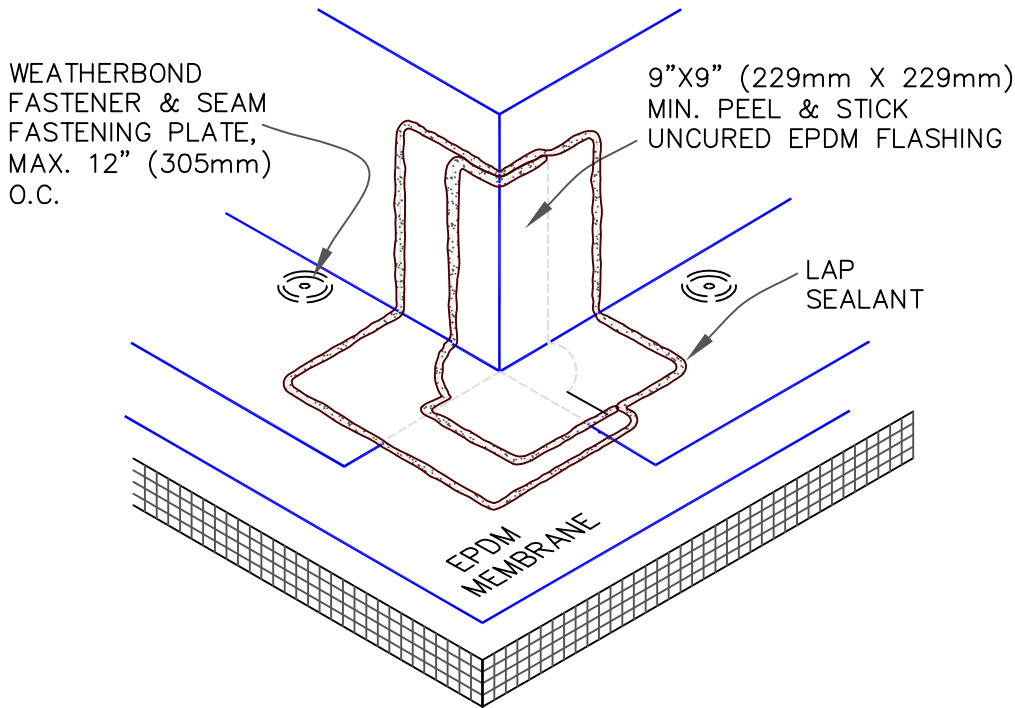
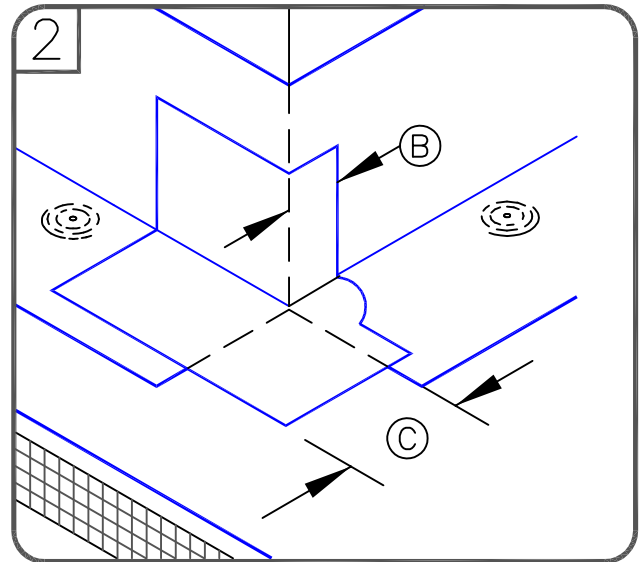
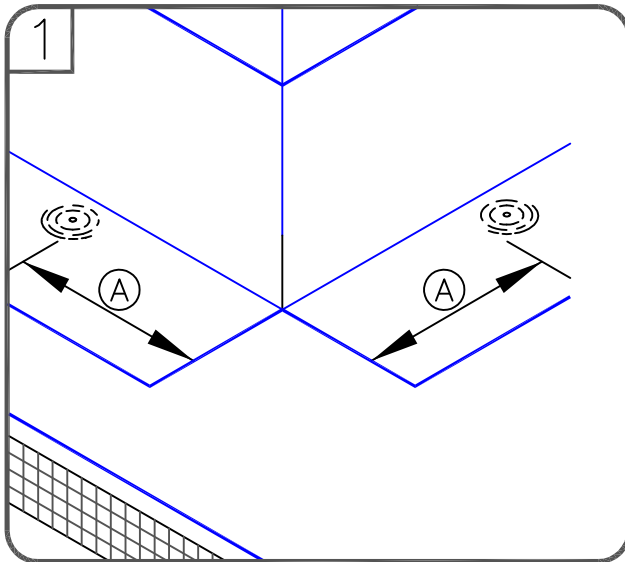


CAUTION

FOR PROJECTS USING 90-MIL MEMBRANE, REFER TO [DETAIL WBRC-15.8](#) FOR REQUIRED FLASHING ENHANCEMENTS.



DIMENSIONS		mm	
(A)	6"	152	TO
	9"	229	
(B)	2"	51	MIN.
(C)	3"	76	MAX.



- NOTES:
1. APPLY EPDM PRIMER TO THE MEMBRANE SURFACES PRIOR TO INSTALLING PEEL & STICK FLASHING.
  2. PEEL & STICK UNCURED EPDM FLASHING TO OVERLAP DECK MEMBRANE 3" (76mm) MINIMUM AND EXTEND 2" (51mm) MINIMUM AROUND CORNERS.
  3. IN COLDER TEMPERATURES, A HEAT GUN MUST BE USED WHEN FORMING PEEL & STICK UNCURED EPDM FLASHING.



OUTSIDE CORNER WITH PEEL & STICK UNCURED EPDM FLASHING (OPTION 1)

- → EPDM MEMBRANE
- APPROVED SUBSTRATE
- 0 → SEE NOTE

EPDM ROOFING SYSTEM  
WBRC-15.6