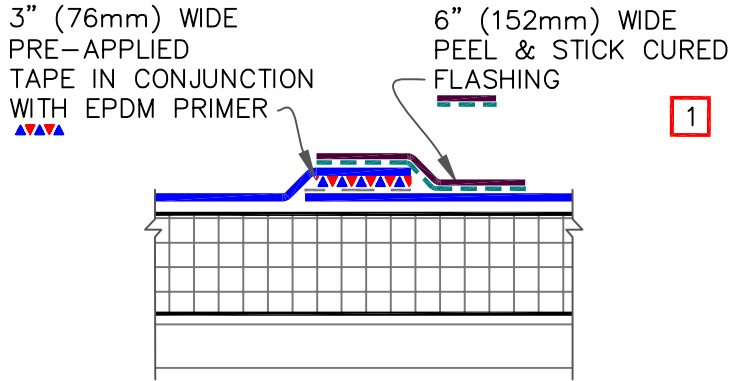
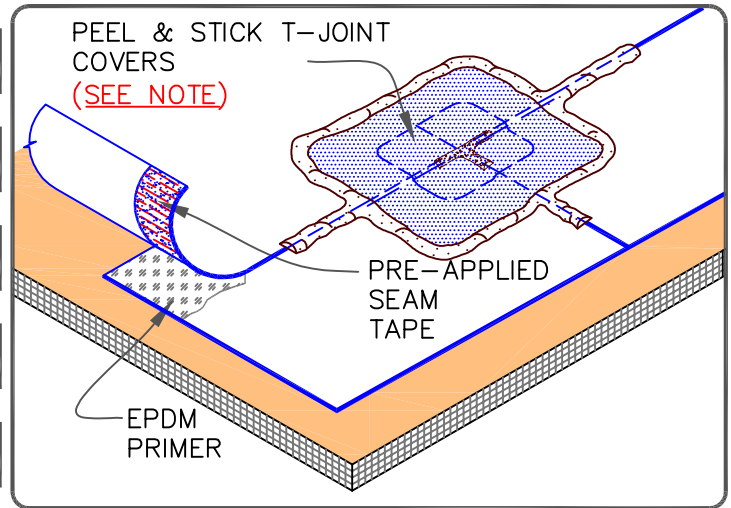
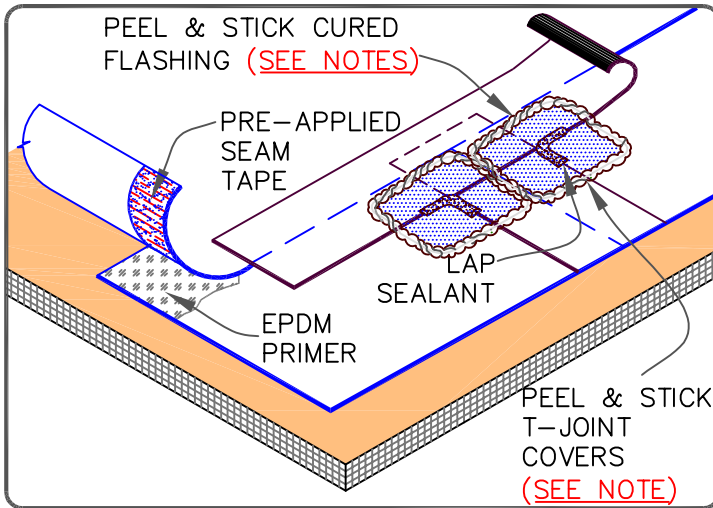
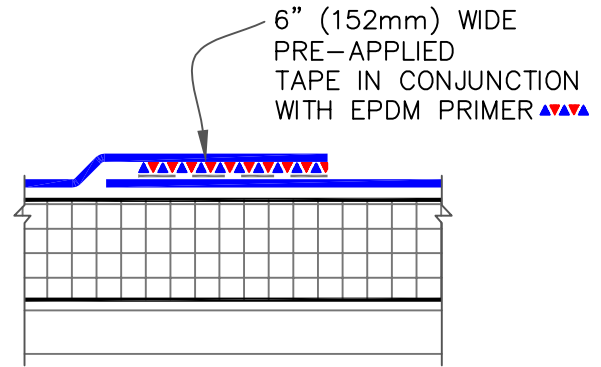


OPTION 1



OPTION 2



PRE-APPLIED SEAM TAPE

NOTES:

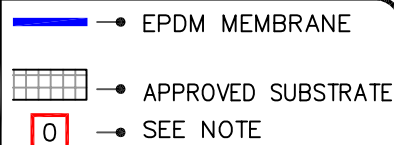
- PROJECTS WITH 90-MIL EPDM MEMBRANE, TAPE SPLICES MAY BE A MINIMUM 3" (76mm) WIDE PRE-APPLIED SEAM TAPE. IN ADDITION, OVERLAY THE ENTIRE FIELD SPLICE WITH A CONTINUOUS 6" (152mm) WIDE PEEL & STICK CURED FLASHING.
- APPLY LAP SEALANT AT ALL INTERSECTIONS BETWEEN PEEL & STICK OVERLAYMENT STRIP.

NOTE:

PROJECTS WITH 90-MIL EPDM MEMBRANE (REGARDLESS OF WARRANTY), TAPE SPLICES MUST BE A MINIMUM 6" (152mm) WIDE PRE-APPLIED SEAM TAPE. ALL SPLICE INTERSECTIONS MUST BE OVERLAID WITH TWO LAYERS OF PEEL & STICK UNCURED EPDM FLASHING. APPLY LAP SEALANT ALONG THE LEADING EDGE OF THE MEMBRANE SPLICE COVERING 1/2" (13mm) IN ALL DIRECTIONS FROM THE SPLICE INTERSECTION AND OVERLAY WITH A 6"X6" (152mm X 152mm) T-JOINT COVER. A SECOND LAYER OF 12"X12" (305mm X 305mm) PEEL & STICK T-JOINT COVER IS REQUIRED. BOTH LAYERS SHALL BE CENTERED OVER THE SPLICE INTERSECTION AND SEALED WITH CONTINUOUS LAP SEALANT.



EPDM MEMBRANE SPLICES- PROJECTS WITH 90-MIL MEMBRANE



EPDM ROOFING SYSTEM

WBRC-2.1B