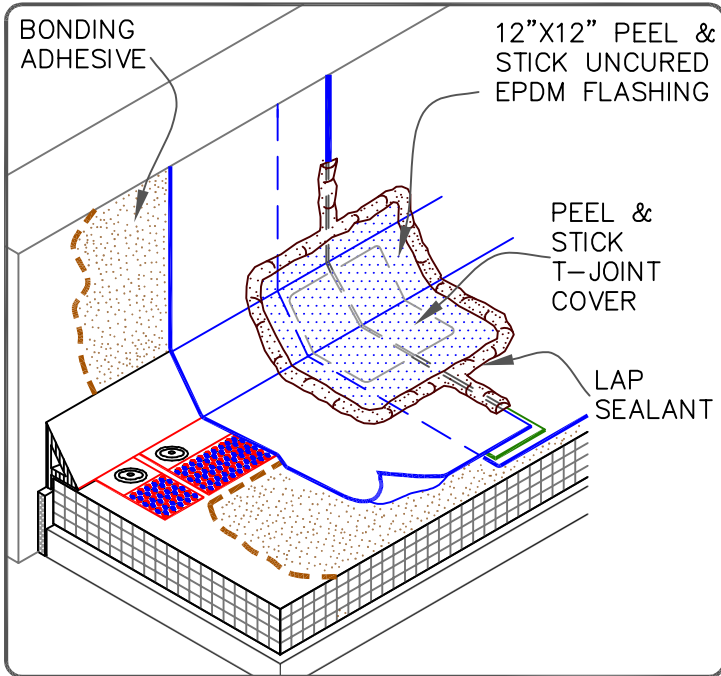
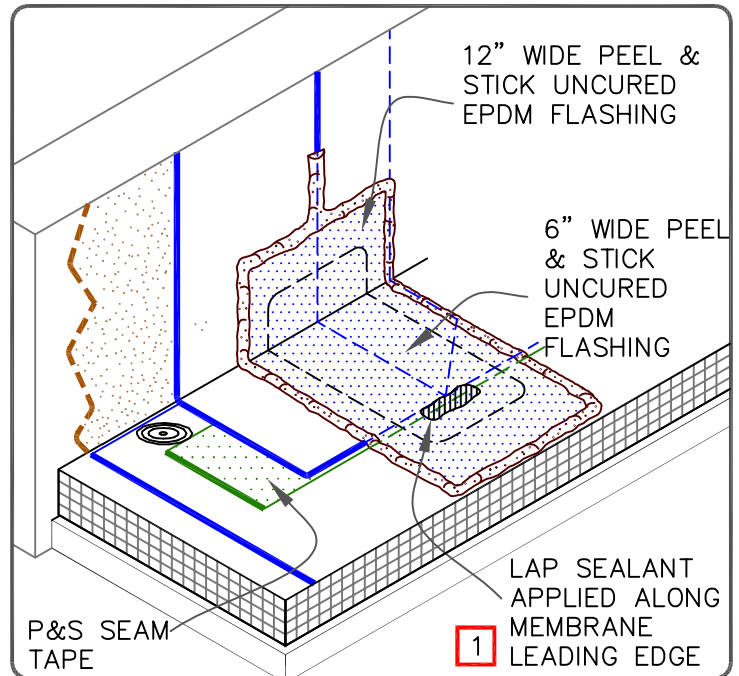


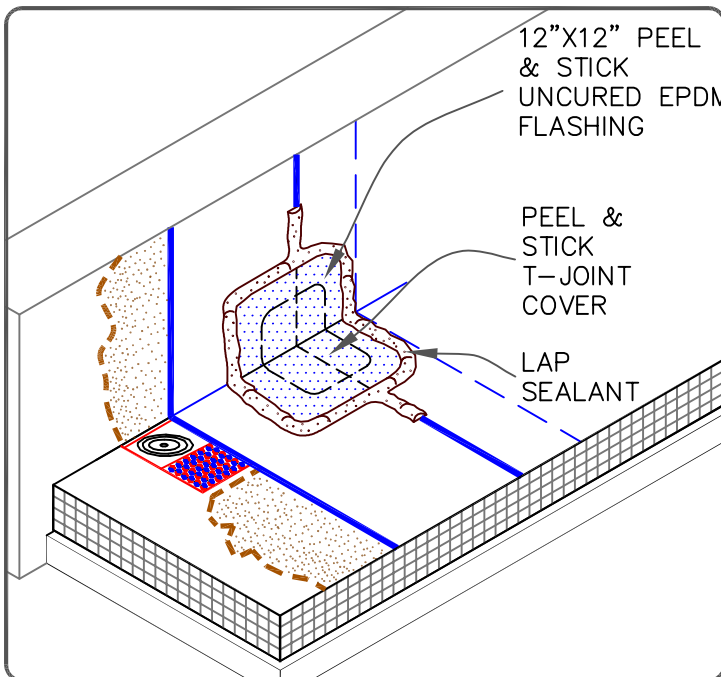
CONTINUOUS WALL FLASHING



SEPARATE WALL FLASHING



CONTINUOUS WALL FLASHING



NOTES:

1. APPLY LAP SEALANT ALONG THE LEADING EDGE OF THE MEMBRANE SPLICE (UNDER THE PEEL & STICK UNCURED EPDM FLASHING) COVERING THE EXPOSED SPLICE TAPE APPROXIMATELY 1/2" (13mm) BEYOND THE SPLICE EDGE.
2. PEEL & STICK T-JOINT COVER OR 6" (152mm) WIDE PEEL & STICK FLASHING, IN CONJUNCTION WITH EPDM PRIMER, MUST BE CENTERED OVER FIELD SPLICES AT THE ANGLE CHANGE. REQUIRE FIELD SPLICES TO BE OVERLAID WITH TWO LAYERS OF PEEL & STICK UNCURED EPDM FLASHING. THE BOTTOM LAYER SHALL BE 6" (152mm) WIDE COVERED WITH A 12" WIDE TOP LAYER (305mm). BOTH LAYERS SHALL BE CENTERED AND SEALED WITH CONTINUOUS LAP SEALANT.