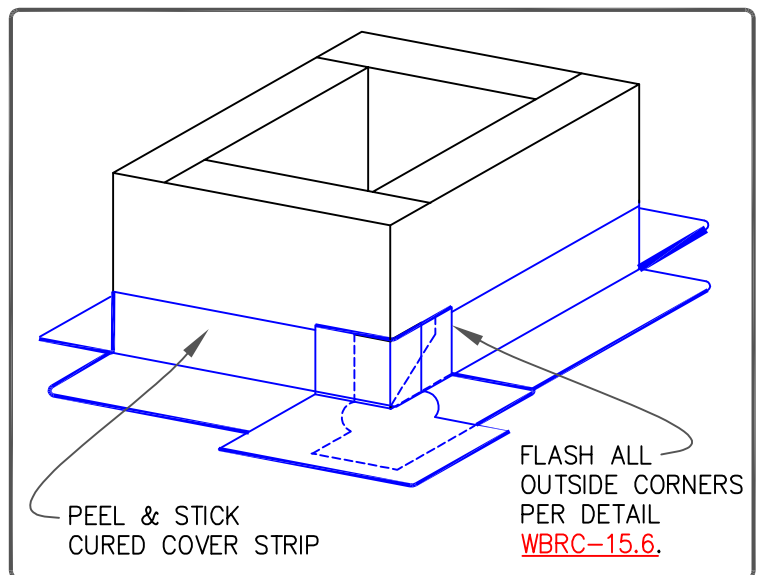


DIMENSIONS		mm	
(A)	2"	51	MIN.
(B)	3"	76	APPROX.

NOTES:

1. WOOD NAILER MUST EXTEND PAST TOTAL WIDTH OF METAL CURB DECK FLANGE.
2. CONSULT THE RESPECTIVE MANUFACTURER OF THE SELF-FLASHING METAL CURB FOR PROPER SECUREMENT.
3. WATER CUT-OFF MASTIC MUST BE HELD UNDER CONSTANT COMPRESSION.
4. 7"X9" (178mm X 229mm) PEEL & STICK CORNERS CANNOT BE INSTALLED ON THIS DETAIL DUE TO INCOMPLETE COVERAGE OF THE METAL FLANGE AT CORNERS. REFER TO [DETAIL WBRC-15.6.](#)



NEW SELF-FLASHING METAL CURB

- EPDM MEMBRANE
- APPROVED SUBSTRATE
- SEE NOTE

EPDM ROOFING SYSTEM

WBRC-5.3