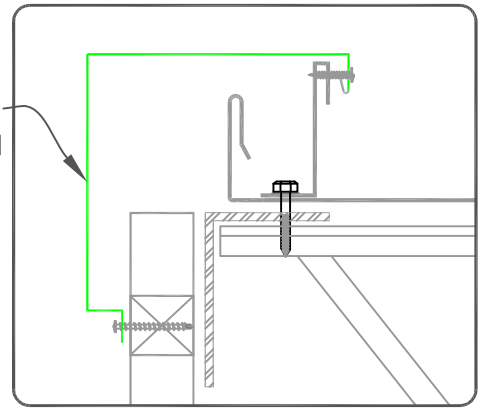


NOTES:

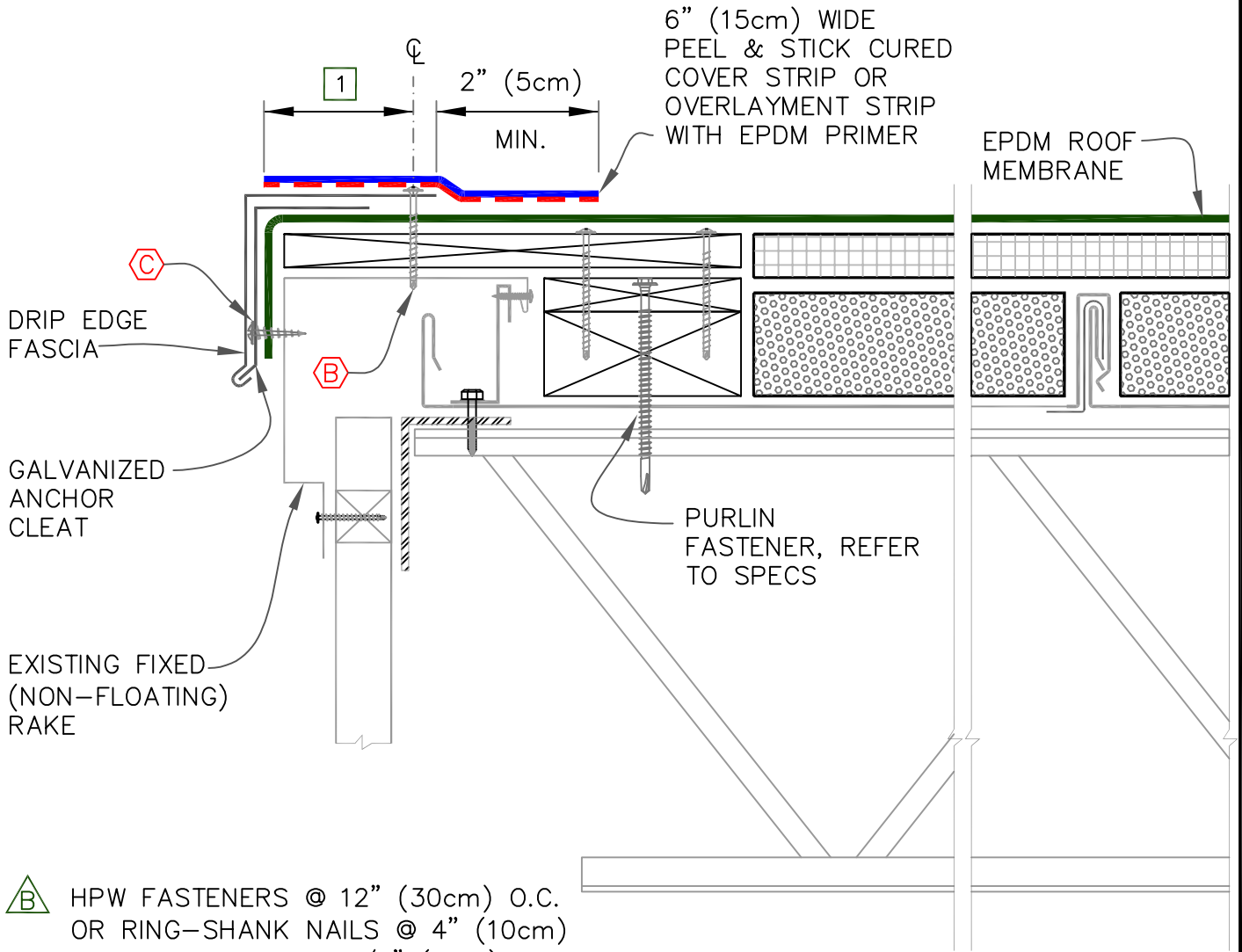
1. FASCIA HORIZONTAL FLANGE MUST BE TOTALLY COVERED, MINIMUM 2" (5cm) BEYOND THE NAIL.
2. REFER TO [MR Z1.1](#) & [MR Z1.2](#) AT THE END OF THIS SECTION.

EXISTING FIXED (NON-FLOATING) RAKE TO REMAIN



EXISTING FIXED RAKE EDGE

WEATHERBOND EPDM

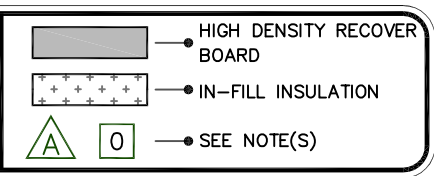


B HPW FASTENERS @ 12" (30cm) O.C. OR RING-SHANK NAILS @ 4" (10cm) O.C. & STAGGERED 3/4" (2cm) O.C.

C SHEET METAL SCREWS @ 6" O.C., MAX., EXPOSED 3/4" (2cm) MIN. BEYOND EXISTING SHEET METAL SUBSTRATE



RAKE EDGE



METAL RETROFIT
MR | E1.8