

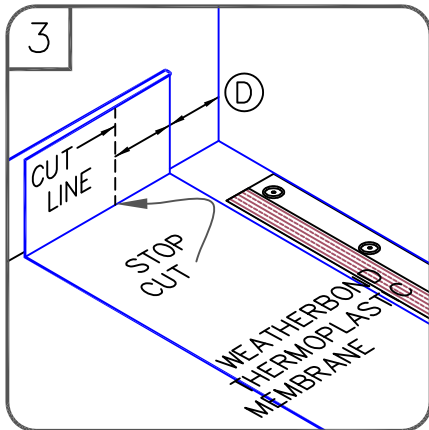
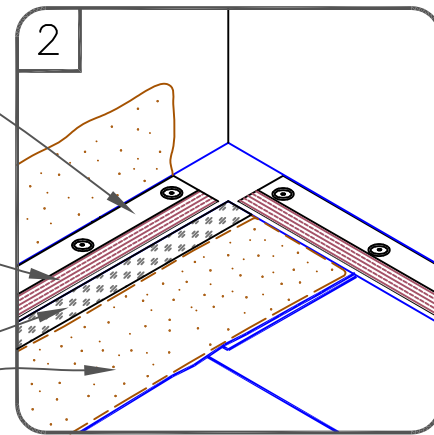
6" (15cm) WIDE RPS

WEATHERBOND FASTENER & SEAM FASTENING PLATE, MAX. 12" (30cm) O.C.

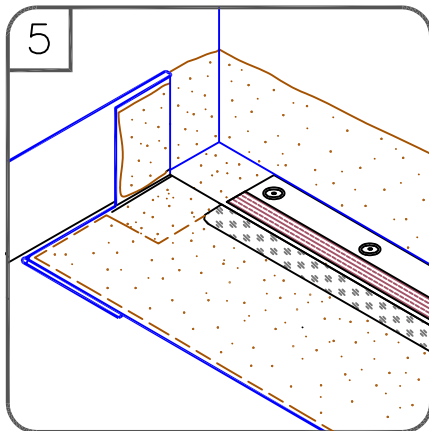
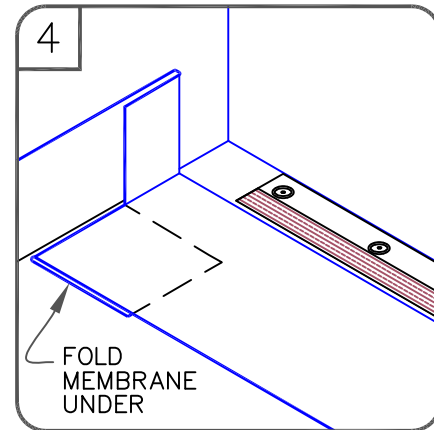
PRE-APPLIED PEEL & STICK TAPE

TPO PRIMER

WEATHERBOND BONDING ADHESIVE

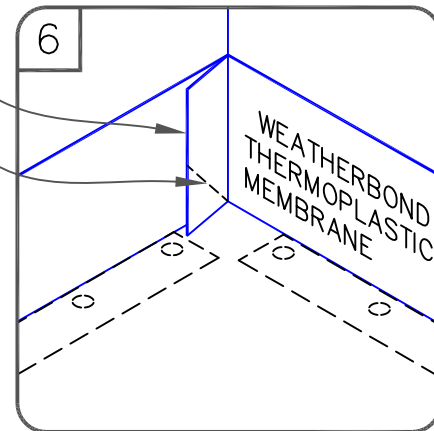


DIMENSIONS	cm	
(A) 6"	15	TO
9"	23	
(B) 1/8"	0.5	MIN.
1"	2.5	MAX.
(C) 12"	30	MIN.
(D) 6"	15	MIN.
(E) 1-1/2"	4	MIN.



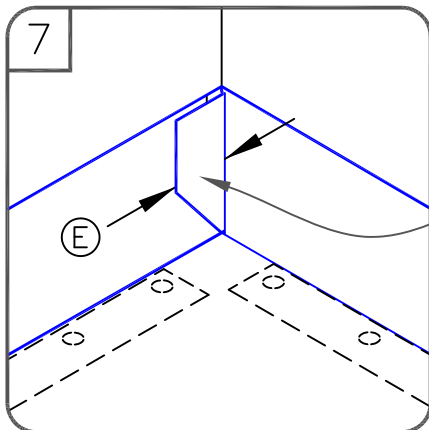
HOT AIR WELD FLAP IN STEP 7

CUT AT 45°

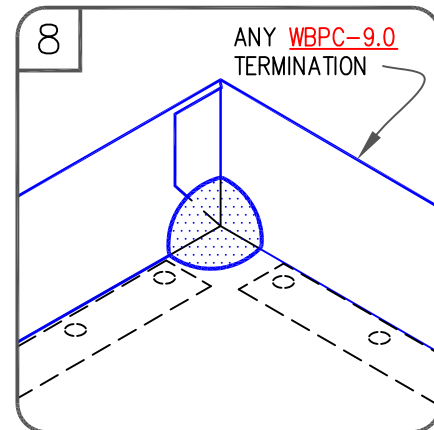


NOTES:

1. THE CUT SECTION OF VERTICAL MEMBRANE WILL BE FOLDED UNDER THE FIELD MEMBRANE AS SHOWN IN **STEP 4**.
2. APPLY INSIDE CORNER IN ACCORDANCE WITH WEATHERBOND **DETAILS WBPC-15.1 OR WBPC-15.2**.



HOT AIR WELD



TPO ONLY
(NOT FOR PVC)