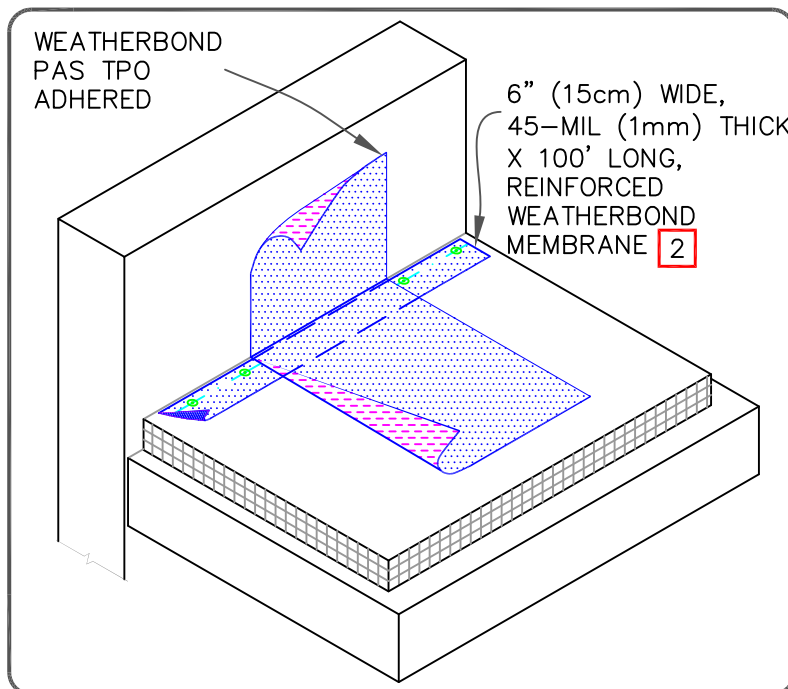


NOTES:

1. REFER TO SPECIAL CONDITION **SPEC. SUPPLEMENTS G-01-18 OR G-08-18:** UTILIZE FOAM OR OTHER METHOD TO PREVENT INFILTRATION OF INDOOR AIR INTO ROOF SYSTEM.
2. THESE STRIPS ARE PRE-CUT IN THE FACTORY.



WEATHERBOND PAS TPO PARAPET FLASHING WITH TPO PAS RPS

- TPO MEMBRANE
- APPROVED SUBSTRATE
- SEE NOTE

THERMOPLASTIC ROOFING SYSTEM

WBPC-12.7