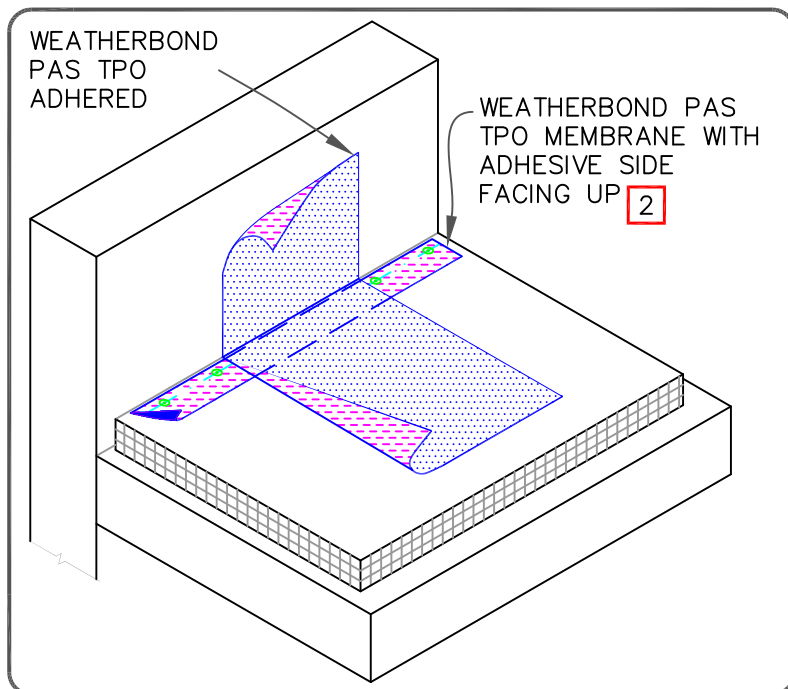


WEATHERBOND PAS
TPO MEMBRANE
ONLY
(NOT FOR PVC)

NOTES:

1. REFER TO SPECIAL CONDITION [SPEC. SUPPLEMENTS G-01-18 OR G-08-18](#): UTILIZE FOAM OR OTHER METHOD TO PREVENT INFILTRATION OF INDOOR AIR INTO ROOF SYSTEM.
2. CONTRACTOR TO CUT WEATHERBOND PAS STRIPS IN THE FIELD.



WEATHERBOND PAS PARAPET FLASHING WITH WEATHERBOND PAS RPS	● TPO MEMBRANE ● APPROVED SUBSTRATE ● SEE NOTE
---	--

THERMOPLASTIC
ROOFING SYSTEM
WBPC-12.8