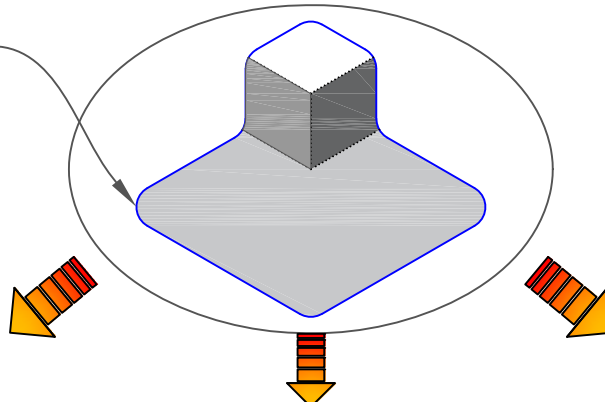


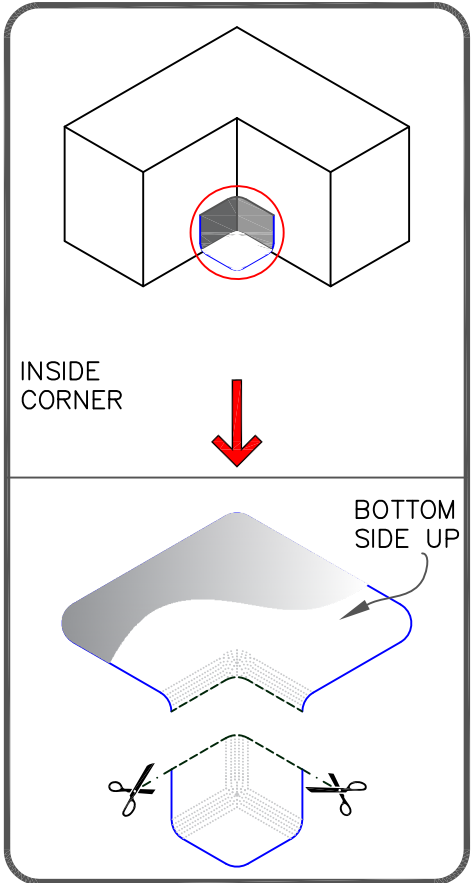
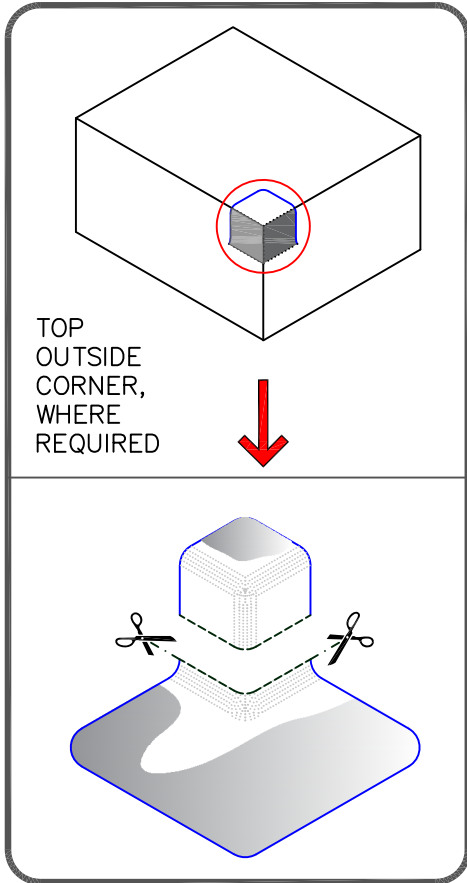
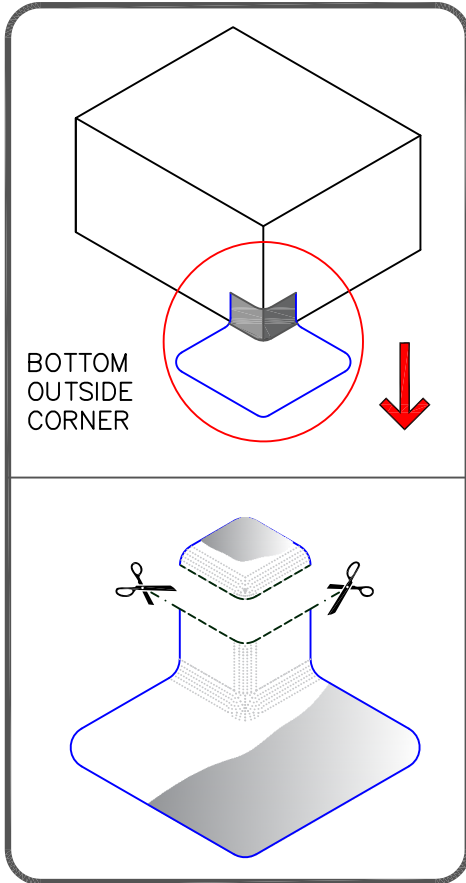
60-MIL (1.27mm) THICK PVC/TPO, UNIVERSAL CORNERS CAN BE USED FOR 3 DIFFERENT CORNER CONDITIONS AS SHOWN BELOW



OPTION A

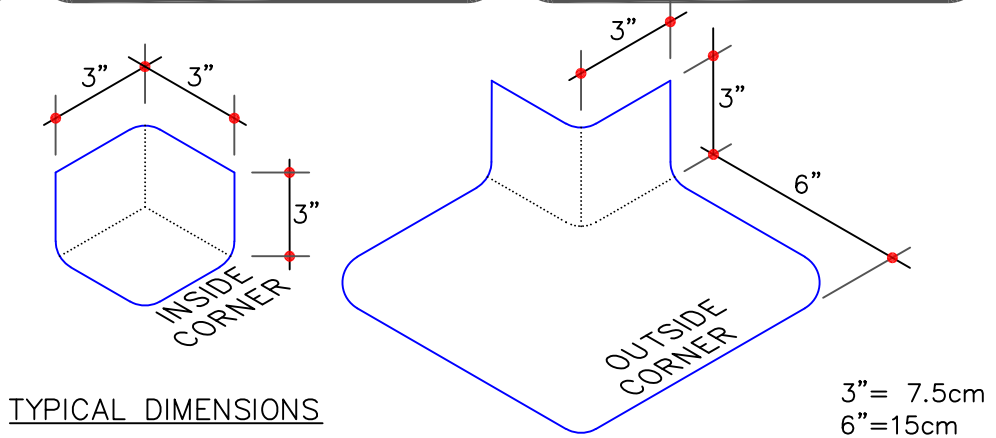
OPTION B

OPTION C



NOTES:

1. ROOF SYSTEMS MUST NOT HAVE FIELD FABRICATED OR BUILT-IN CANT STRIP.
2. REFER TO TECHNICAL DATA BULLETINS FOR COLOR AVAILABILITY.



PVC OR TPO:  
UNIVERSAL CORNERS –  
COMBINATION INSIDE &  
OUTSIDE CORNERS

- WEATHERBOND THERMOPLASTIC REINFORCED MEMBRANE
- APPROVED SUBSTRATE
- SEE NOTE

THERMOPLASTIC ROOFING SYSTEM  
WBPC-15.7