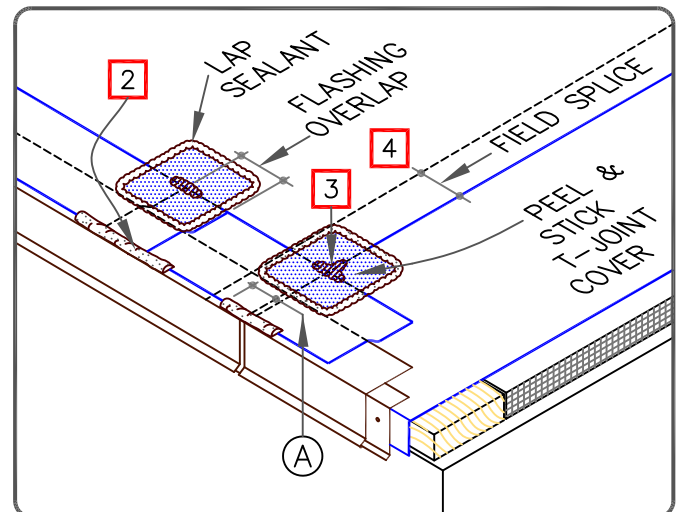
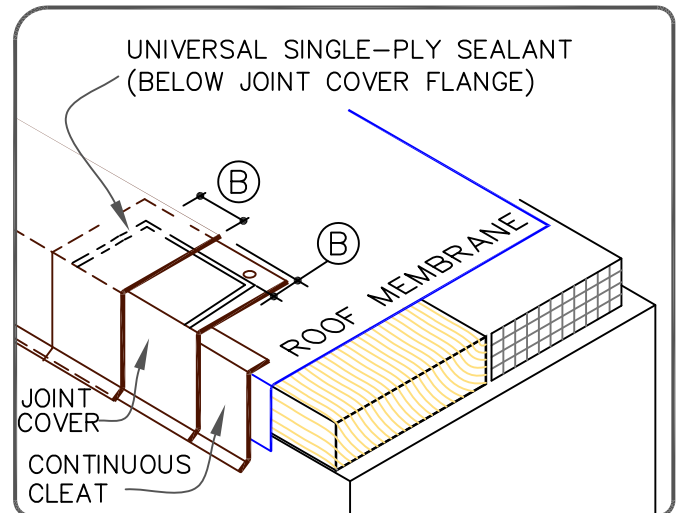


NOTES:

1. DECK FLANGE MUST BE TOTALLY COVERED WITH MINIMUM 2" (5cm) COVERAGE PAST NAIL HEADS. TO REMOVE FINISHING OILS, SCRUB METAL FLANGE WITH WEATHERED MEMBRANE CLEANER; ALLOW TO DRY PRIOR TO APPLYING PRIMER.
2. LAP SEALANT MUST BE APPLIED AT FLASHING OVERLAPS AND INTERSECTIONS WITH JOINTS IN METAL EDGING.
3. T-JOINT COVER NOT NEEDED WHEN USING PAS OVERLAYMENT STRIP ON MEMBRANE LESS THAN 90-MIL.
4. WHEN USING 90-MIL MEMBRANE INSTALL A 12" (30cm) T-JOINT COVER OVER THE 6" (15cm) T-JOINT COVER PER [WBRC-2.2](#)
5. DETAIL NOT FOR USE WITH DESIGN "B" (BALLASTED STONE ASSEMBLY).



WEATHERBOND DRIP EDGE FASCIA

- EPDM MEMBRANE
- APPROVED SUBSTRATE
- SEE NOTE

EPDM ROOFING SYSTEM

WBRC-1.1A