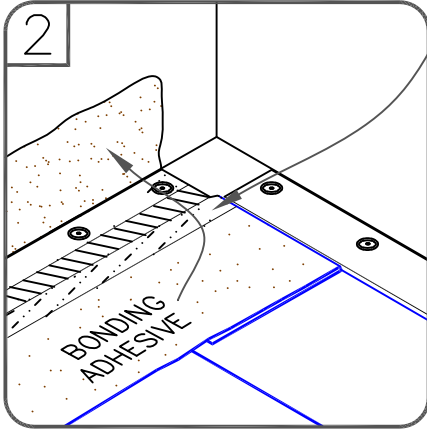
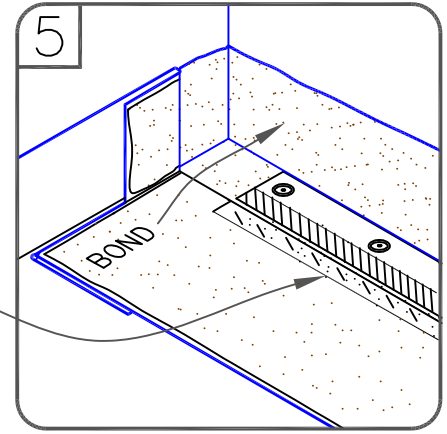


6" (15cm) WIDE PEEL & STICK RPS

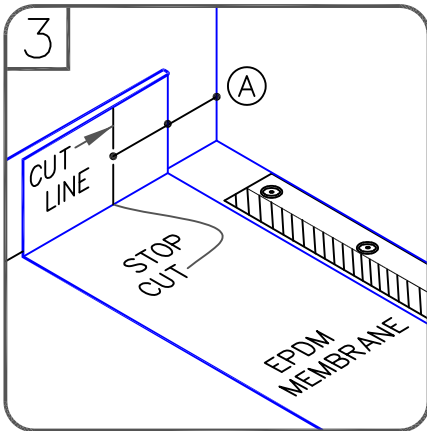
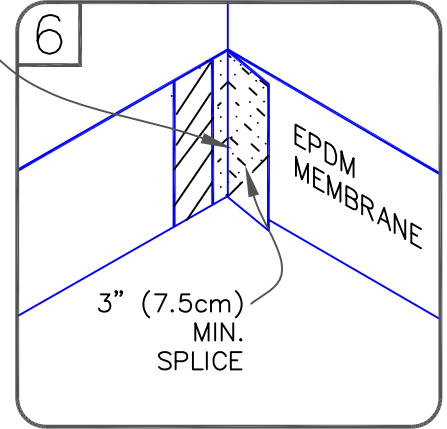
WEATHERBOND SEAM FASTENING PLATE & FASTENER.

EPDM PRIMER

CUT 45° AND APPLY EPDM PRIMER/PAS SEAM TAPE

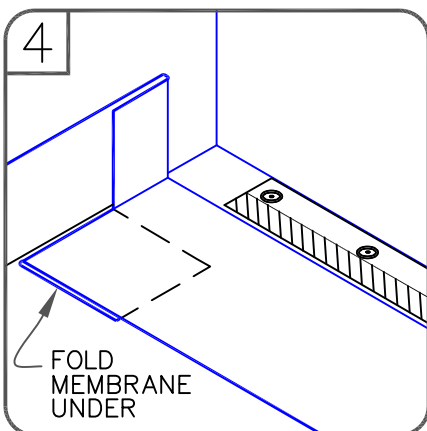
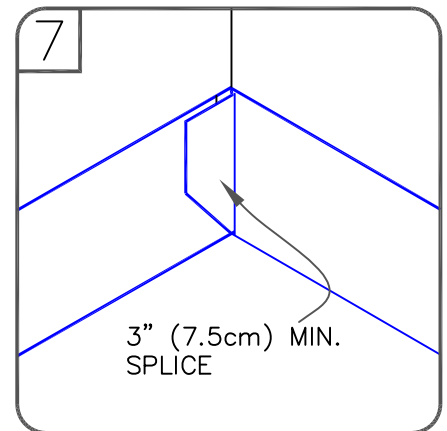


DIMENSIONS	cm		
(A) 6"	15	TO	
9"	23		

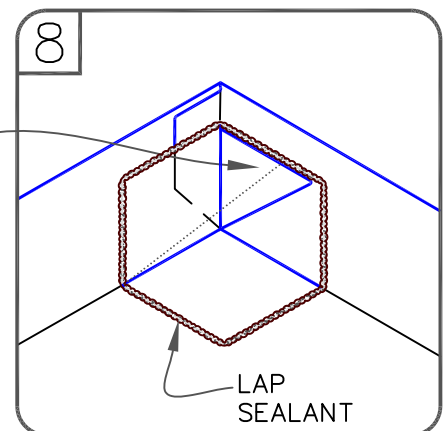


NOTE:

1. REFER TO DETAIL [WBRC-15.3](#) FOR INSIDE CORNER INSTALLATION REQUIREMENTS.



PIG EAR ON OPPOSITE WALL



INSIDE CORNER WITH RPS (OPTION 1)

- EPDM MEMBRANE
- APPROVED SUBSTRATE
- SEE NOTE

EPDM ROOFING SYSTEM  
WPRC-15.1