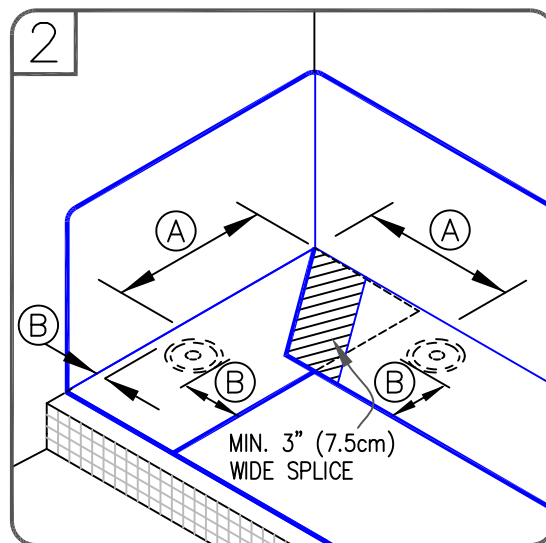
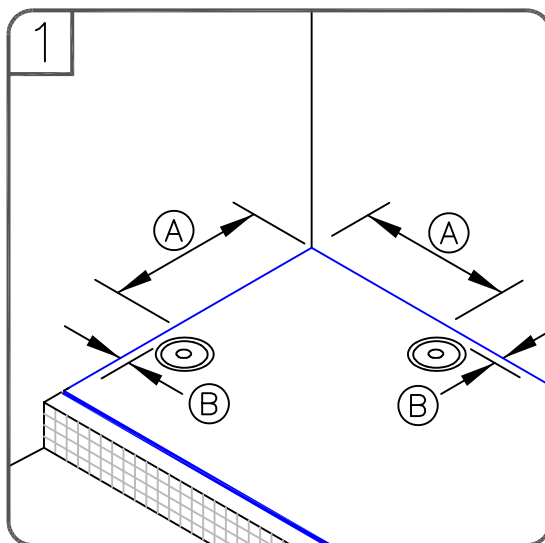


DIMENSIONS		cm	
(A)	6"	15	TO
	9"	23	
(B)	3"	7.5	MIN.



NOTE:

1. IN COLDER TEMPERATURES, A HEAT GUN MUST BE USED WHEN FORMING PEEL & STICK UNCURED EPDM FLASHING.



INSIDE CORNER WITH SEPARATE EPDM WALL FLASHING

- EPDM MEMBRANE
- APPROVED SUBSTRATE
- SEE NOTE

EPDM ROOFING SYSTEM

WBRC-15.4A