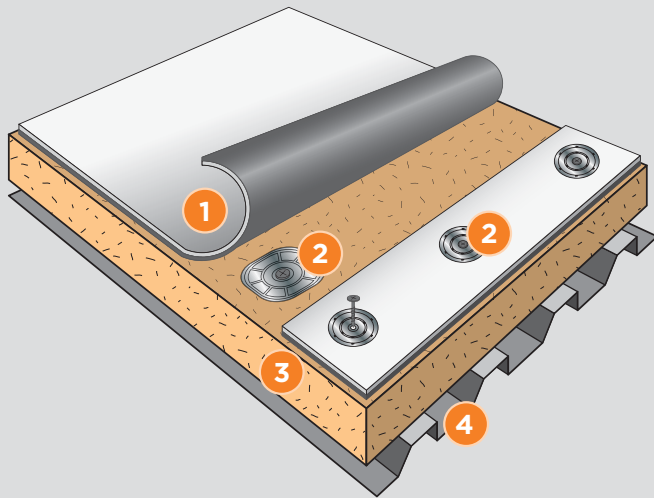


WeatherBond **PVC**

Mechanically Attached Roofing System



Typical Application

- 1 WeatherBond Reinforced PVC Membrane
- 2 Fasteners and Plates
- 3 Acceptable Insulation
- 4 Approved Roof Deck

Colors:	White, Gray, Tan
Standard Thicknesses:	50-, 60- and 80-mil
Standard Widths:	Membrane: 120" or 81" Perimeter Sheets: 60" or 40.5"
Standard Lengths:	50-mil: 100', 60-mil: 100', 80-mil: 75'

System Features And Benefits:

- ENERGY STAR®-qualified membranes
- Heat-weldable membranes
- Highly solar reflective "cool" membrane
- UL/FM codes and approvals
- Saves on air conditioning costs
- Enhanced physical property characteristics for long-term weatherability
- Excellent chemical resistance to acids, bases, restaurant oils, greases, and jet fuel fall-out

Installation

The WeatherBond PVC Mechanically Attached Roofing System utilizes white, gray, and tan membranes in standard 50-mil, 60-mil or 80-mil thicknesses.

Insulation is mechanically attached to an acceptable roof deck. WeatherBond PVC membrane sheets are mechanically fastened through the insulation to the deck with WeatherBond HPWX Fasteners and HPWX Plates. Adjoining sheets are overlapped and joined together with a minimum 1½"-wide hot-air weld.

The above information represents a typical WeatherBond PVC Mechanically Attached Roofing System. Refer to WeatherBond's installation instructions for more complete information.

Membrane and System Strengths

- WeatherBond PVC membranes come in 81"- and 120"-wide sheets in 50-, 60- and 80-mil thicknesses
- Available in highly reflective white, as well as gray and tan
- Incorporates a strong polyester reinforcement giving the membrane excellent tear, breaking, and puncture resistance
- Excellent chemical resistance to acids, bases, restaurant oils, greases, and jet fuel fall-out
- WeatherBond KEE HP membranes enhanced with Elvaloy® are available
- Wide window of weldability affords easy membrane seaming
- Hot-air-welded seams enhance ease of installation
- High solar reflectivity "cool" roof saves on air conditioning costs



WEATHERBOND
ROOFING SYSTEMS

Single-Ply Simplified

Certified Fabricated Accessories

Certified Fabricated Accessories (CFAs) are the only factory-fabricated PVC accessories that meet the stringent quality tolerances required to be included in a WeatherBond PVC roofing system.



Typical Properties and Characteristics

	Test Method	White PVC	Tan PVC	White PVC
ENERGY STAR® initial solar reflectance	Solar Spectrum Reflectometer	0.87	N/A	N/A
ENERGY STAR solar reflectance after 3 years	Solar Spectrum Reflectometer (uncleaned)	0.61	N/A	N/A
CRRC initial solar reflectance	ASTM C1549	0.86	0.73	0.59
CRRC solar reflectance after 3 years	ASTM C1549 (uncleaned)	0.63	Pending	Pending
CRRC initial thermal emittance	ASTM C1371	0.89	0.86	0.89
CRRC thermal emittance after 3 years	ASTM C1371 (uncleaned)	0.87	Pending	Pending
LEED® thermal emittance	ASTM E408	0.94	0.94	0.94
SRI (Solar Reflectance Index)	ASTM E1980	108	49	42

Typical properties and characteristics are based on samples tested and are not guaranteed for all samples of this product. This data and information is intended as a guide and does not reflect the specification range for any particular property of this product.

	New Construction						Re-roofing		
Existing or New Deck Type	Steel	Plywood or OSB	Lt. Wt. Concrete	Structural Concrete	Wood Planks	Gypsum & Fibrous Cement	Smooth-Surface BUR	Gravel-Surfaced BUR	Existing Single-Ply
Deck Overlayment Required	Yes	No	Yes	Yes	Yes	Yes	Yes	Yes	Yes
Insulations	Polyiso, Recovery Board, Densdeck® or Approved Insulation over Polystyrene						← Refer to New Construction		
Insulation Attached By	Fasteners and Plates						← Refer to New Construction		
Membrane Attached By	HPWX Fasteners/HPWX Plates; HPW-XL/HPW-XL Plate	HPWX Fasteners/HPWX Plates HPW-XL Fast/HPW-XL Plate	Contact WeatherBond	Contact WeatherBond	HPWX Fasteners/HPWX Plates	Contact WeatherBond	← Refer to New Construction		

For current Code Approvals, visit WeatherBond's web site, or contact a Design Analyst.



WEATHERBOND
ROOFING SYSTEMS

Single-Ply Simplified

P.O. Box 251 | Plainfield, PA 17081 | 866.471.5125 | FAX: 717.960.4034 | www.weatherbondroofing.com

© 2017 WeatherBond. 12.04.17 REPRINT REQUEST CODE: 609323 - "WeatherBond PVC Mechanically Attached System Sheet"
WeatherBond is a trademark of WeatherBond. LEED is a registered trademark of the U.S. Green Building Council.
ENERGY STAR is a registered trademark of the U.S. Government. *ENERGY STAR qualification is only valid in the U.S.
Eivaloy is a registered trademark of DuPont. DensDeck is a registered trademark of Georgia-Pacific Corporation.