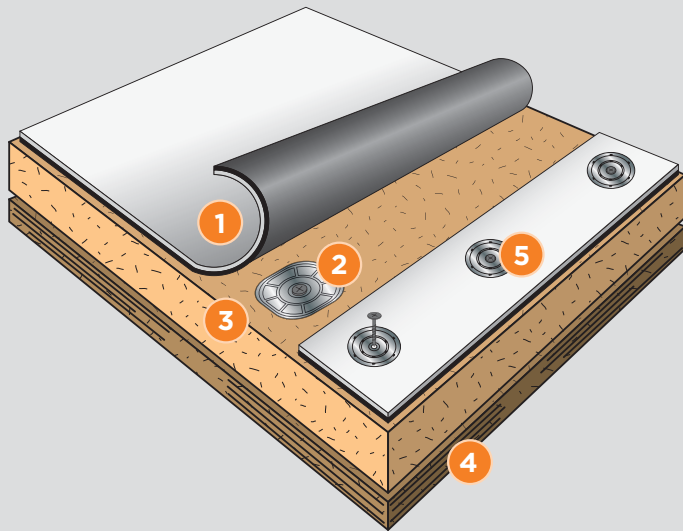


WeatherBond TPO

Mechanically Attached Roofing System



Typical Application

- 1 WeatherBond Reinforced TPO Membrane
- 2 Insulation Fasteners and Plates
- 3 Acceptable Insulation
- 4 Approved Roof Deck
- 5 Membrane Fasteners and Plates

Colors:	White, Gray, Tan
Standard Thicknesses:	45-, 60- and 80-mil
Standard Widths:	4', 6', 8', 10' and 12'
Standard Lengths:	100'

System Features And Benefits:

- Heat-weldable membranes
- High wind uplift performance
- Resistance to hail and accidental punctures
- Top ply membrane thickness adds improved long-term weatherability and durability
- WeatherBond TPO membrane meets ENERGY STAR®* qualifications and CRRC guidelines
- OctaGuard XT™ weathering package provides superior long-term performance
- Certified Fabricated Accessories

Installation

The WeatherBond TPO Mechanically Attached Roofing System utilizes white, gray, or tan membranes in standard reinforced 45- or 60-mil thickness or 80-mil thick reinforced WeatherBond TPO membranes.

Insulation is mechanically attached to an acceptable roof deck. WeatherBond TPO membrane sheets are mechanically attached to the deck with appropriate WeatherBond fasteners and plates. Adjoining sheets are overlapped and joined together with a minimum 1½"- wide hot-air weld.

The above information represents a typical WeatherBond TPO Mechanically Attached Roofing System. Refer to WeatherBond's installation instructions for more complete information.

Certified Fabricated Accessories

WeatherBond also offers over a dozen prefabricated, in-stock, standard-order accessories, and countless custom-order accessories. All carry a CFA (Certified Fabricated Accessory) stamp of approval, so you know they are manufactured to the highest standards. Every Versico CFA-approved accessory saves time and money during installation.



WEATHERBOND
ROOFING SYSTEMS

Single-Ply Simplified

WeatherBond TPO Membrane

WeatherBond TPO is a premium, heat-weldable, single-ply thermoplastic polyolefin membrane, engineered to provide outstanding long-term performance in new roof construction and re-roofing applications. All WeatherBond TPO membranes utilize the patented OctaGuard XT weathering package technology, which is able to withstand extreme durability testing intended to simulate exposure to several climates.



Existing or New Deck Type	New Construction						Re-roofing		
	Steel	Plywood or OSB	Lt. Wt. Concrete	Structural Concrete	Wood Planks	Gypsum & Fibrous Cement	Smooth-Surface BUR	Gravel-Surfaced BUR	Existing Single-Ply
Deck Overlayment Required	Insulation	No	No	HP Mat	Insulation	Insulation	No	Insulation	**Refer to Specs
Insulations	Approved insulation or cover board						←	Refer to New Construction	
Insulation Attached By	Fasteners and plates						←	Refer to New Construction	
Membrane Attached By	HPWX Fasteners; HPW-XL Fasteners	HPWX Fasteners; HPW-XL Fasteners	Contact WeatherBond	CD-10; MP 14-10 Fasteners	HPWX Fasteners	Contact WeatherBond	←	Refer to New Construction	

FOR TEAR-OFF OPTIONS REFER TO NEW CONSTRUCTION ABOVE.
 For current code approvals visit WeatherBond's website or contact a design analyst.
 ** Refer to WeatherBond's Design Criteria Portion of the Current Specification.



WEATHERBOND
 ROOFING SYSTEMS

Single-Ply Simplified

P.O. Box 251 | Plainfield, PA 17081 | 866.471.5125 | FAX: 717.960.4034 | www.weatherbondroofing.com

© 2017 WeatherBond. 11.30.17 REPRINT REQUEST CODE: 609329 - "WeatherBond TPO Mechanically Attached System Sheet"
 WeatherBond is a trademark of WeatherBond. OctaGuard XT is a trademark of Carlisle Construction Materials, LLC.
 ENERGY STAR is a registered trademark owned by the U.S. Government. * ENERGY STAR qualification is only valid in the U.S.