



Re-roofing **Guide**



WEATHERBOND
ROOFING SYSTEMS

Single-Ply Simplified

Selecting the right replacement roof for your building is an important decision. Because every building has its own unique requirements, the roofing experts at WeatherBond offer a wide variety of re-roofing products and systems. This guide will help to identify the ideal system for your facility based on your existing roof system, energy-efficiency goals, and budget. WeatherBond's comprehensive product offering can provide solutions for virtually any re-roofing project.

Options for Re-roofing

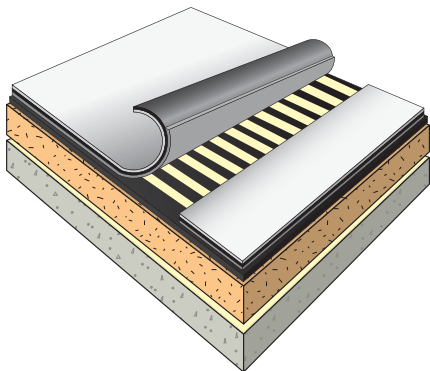
Existing Roof	Fully Adhered WeatherBond TPO Fleece Membrane with DASH Adhesive	Mechanically Attached Membrane Direct-to-Existing Roof	WeatherBond XFP/Coverboard with Fully Adhered Minimum .060 Membrane	Mechanically Attached WeatherBond TPO Fleece Membrane Direct-to-Existing Roof	R-Tech® EPS Fanfold Minimum .045 Membrane Direct-to-Existing Roof
Metal	—	—	—	—	—
Gravel Built-up Roof	—	—	Better	—	Better
Smooth Built-up Roof / Modified Bitumen	—	Better ³	Better	Better	Better
Fully Adhered TPO or EPDM	Good ⁴	Better	Better	Better	Better
Ballasted EPDM (Ballast must be removed)	—	—	Better	—	Better
PVC	—	—	Better	—	Better

¹ Acceptable mechanically attached substrates include steel, structural concrete, plywood and wood planks

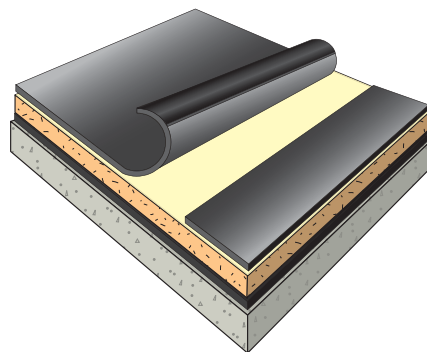
² Mechanically attached systems must be attached through Purlins

³ WeatherBond EPDM and WeatherBond TPO only

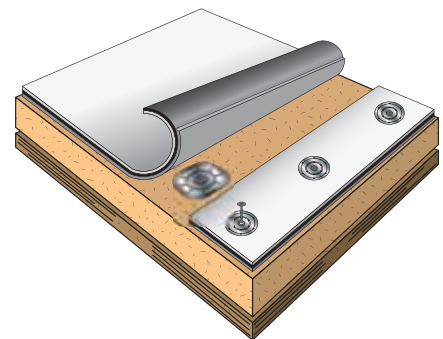
⁴ Over WeatherBond EPDM only



WeatherBond TPO Fleece Adhered with DASH Direct-to-Modified Bitumen



Coverboard and Fully Adhered Membrane to Modified Bitumen

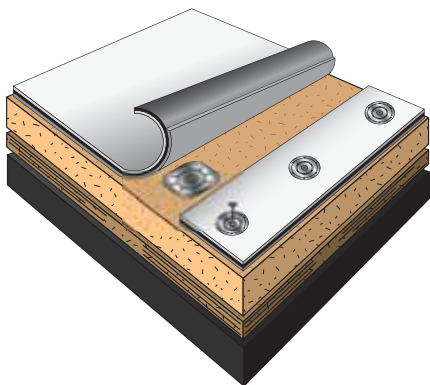


Mechanically Attached WeatherBond TPO Fleece Direct-to-Existing Roof

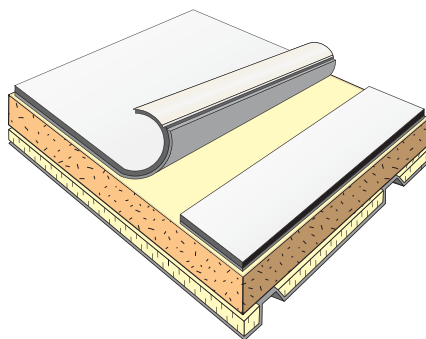


Over an Existing Roof

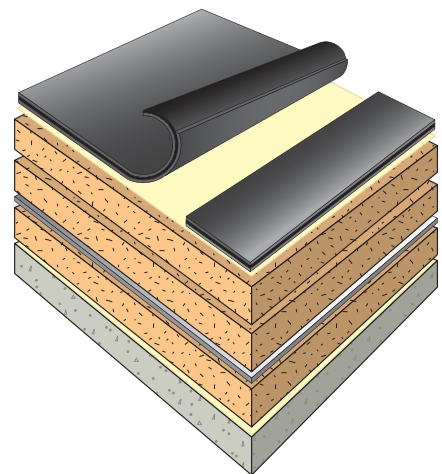
Recovery Board and Induction Welding Attachment Minimum .045 TPO Membrane	Fully Adhered WeatherBond TPO Fleece Membrane with DASH Adhesive	Single layer of ISO with Fully Adhered or Mechanically Attached Minimum .060 Membrane ¹	EPS Flute Fill, ISO with Fully Adhered or Mechanically Attached Minimum .060 Membrane ¹	Double layer of ISO with Fully Adhered Minimum .060 EPDM, TPO or PVC	Double layer of ISO with Mechanically Attached Minimum .060 EPDM, TPO or PVC ¹	Double layer of ISO and Induction Welding Attachment of Minimum .060 TPO ¹
—	—	—	Best ²	Best	Best ²	Best ²
Better	—	Best	—	Best	Best	Best
Better	Best	Best	—	Best	Best	Best
Better	—	Best	—	Best	Best	Best
Better	—	Best	—	Best	Best	Best
Better	—	Best	—	Best	Best	Best



Single Layer of ISO and Mechanically Attached Membrane Over Smooth BUR



EPS Flute Fill and One Layer of ISO on Metal Retrofit



Double Layer of ISO and Fully Adhered Membrane to Existing Single-Ply



WEATHERBOND
ROOFING SYSTEMS

Single-Ply Simplified

P.O. Box 251 | Plainfield, PA 17081 | 866.471.5125 | FAX: 717.960.4034 | www.weatherbondroofing.com

© 2018 WeatherBond. 01.08.18 REPRINT REQUEST CODE: 609335 - "WeatherBond Re-roofing Guide Brochure"
WeatherBond is a trademark of WeatherBond.