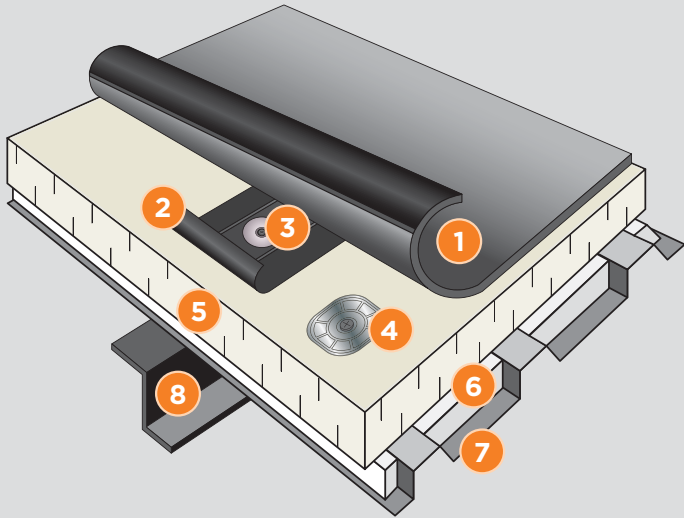


# WeatherBond EPDM

## Metal Retrofit Roofing System



### Typical Mechanically Attached Application

- 1 Reinforced Black EPDM Membrane
- 2 9"-Wide Reinforced Perimeter Strip
- 3 Purlin Fasteners and Polymer Seam Plates
- 4 Insulation Fasteners
- 5 Polyiso Insulation
- 6 Flute Fill Insulation
- 7 Existing Metal Roof
- 8 Structural Purlin

Colors:	Black (EPDM)
Standard Thicknesses:	45-, 60- and 75-mil
Standard Widths:	6.5' or 10' (reinforced EPDM)
Standard Lengths:	100'

### System Features And Benefits:

- Retrofit option provides a long-term solution to metal roof problems
- Membrane attached to structural steel purling
- Retrofit systems reduce noise associated with metal roofs
- Retrofit systems permit the addition of insulation to improve the energy efficiency of the structure
- UL Class A, B and universal slope ratings are available

### Installation

#### Metal Retrofit Mechanically Attached Option

WeatherBond insulation is used to fill between standing seams and a cover board or insulation board is installed and secured to the metal roof with WeatherBond HPW Fasteners and Insulation Plates.

WeatherBond manufactures a unique 9"-wide RPS strip with two 3" strips of Peel & Stick Seam Tape on either side for proper wind uplift resistance. Membrane securement is achieved by attaching WeatherBond EPDM membrane to the RPS strips that are fastened into the structural purlins. Adjoining membrane sheets are spliced together using WeatherBond's Peel & Stick Seam Tape.

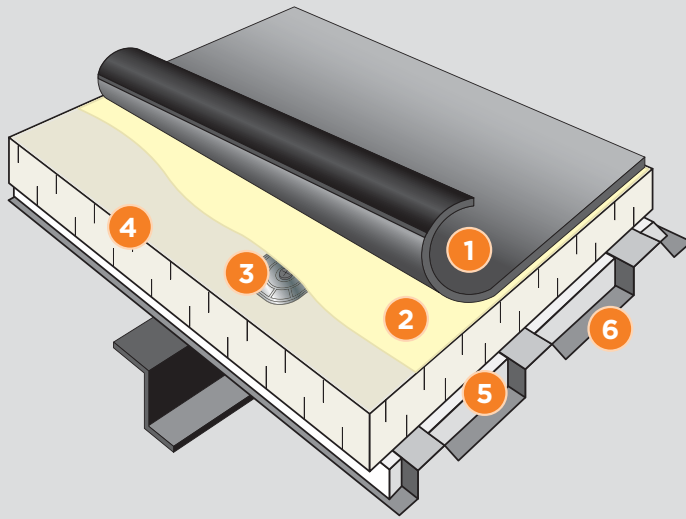
#### Peel & Stick Accessories

WeatherBond Peel & Stick Accessories can greatly reduce the time required for completing seams and installing flashing, resulting in reduced labor costs.



**WEATHERBOND**  
ROOFING SYSTEMS

Single-Ply Simplified



### Typical Fully Adhered Application

- 1 EPDM Membrane
- 2 Bonding Adhesive
- 3 HPWX Fasteners and Plates
- 4 Polyiso or Acceptable Insulation
- 5 Flute Fill Insulation
- 6 Existing Metal Roof

### System Features And Benefits:

- Eliminates sheet flutter
- Full 60- or 90-mils of weathering
- Available in black or white EPDM



**WEATHERBOND**  
ROOFING SYSTEMS

Single-Ply Simplified

P.O. Box 251 | Plainfield, PA 17081 | 866.471.5125 | FAX: 717.960.4034 | [www.weatherbondroofing.com](http://www.weatherbondroofing.com)

© 2017 WeatherBond. 12.04.17 REPRINT REQUEST CODE: 609642 - "WeatherBond EPDM Metal Retrofit System Sheet"  
WeatherBond is a trademark of WeatherBond.