

WeatherBond

Custom TPO or PVC Accessory Quote Request Form

Contractor Name: _____

Job Name & Location: _____

Ship To Address: (Street) _____

(City/State/Zip Code) _____

Distributor (bill to): _____

Pipe Seal

Material: TPO PVC

Seam: Open/Split Welded/Closed

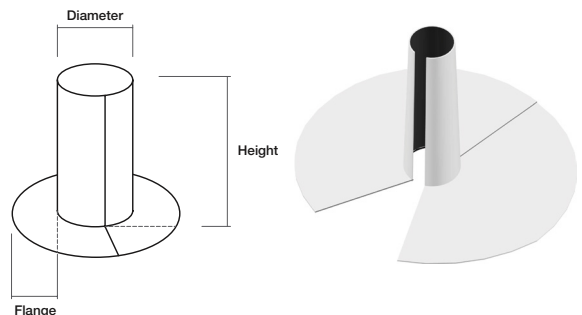
Color: White Slate Gray Patina Green (TPO Only)
Gray Light Gray (PVC only) Rock Brown (TPO Only)
Tan Medium Bronze (TPO Only) Terra Cotta (TPO Only)

Quantity: _____

Diameter: _____

Height (8" standard): _____

Flange (5" standard): _____



Cone Pipe Seal

Material: TPO PVC

Seam: Welded/Closed

Color: White Slate Gray Patina Green (TPO Only)
Gray Light Gray (PVC only) Rock Brown (TPO Only)
Tan Medium Bronze (TPO Only) Terra Cotta (TPO Only)

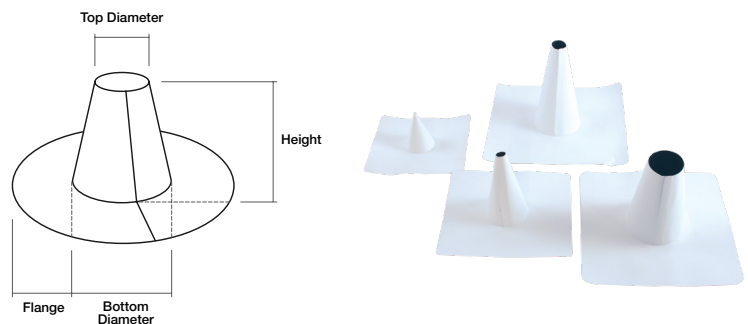
Quantity: _____

Top Diameter: _____

Bottom Diameter: _____

Height (8" standard): _____

Flange (5" standard): _____



Please submit this form to your WeatherBond distributor.

Custom accessories are made to order and are non-returnable. Please verify all measurements and complete all information for the item(s) you are requesting. Actual product may differ slightly from pictures shown. All custom accessories are fabricated from reinforced 60-mil membrane (unless other thickness is specified). All PVC accessories are fabricated using KEE HP, except for slate gray and light gray accessories (standard PVC only).. $Diameter = Circumference \div 3.14$



WEATHERBOND
ROOFING SYSTEMS

Single-Ply Simplified

Square Tube Wrap

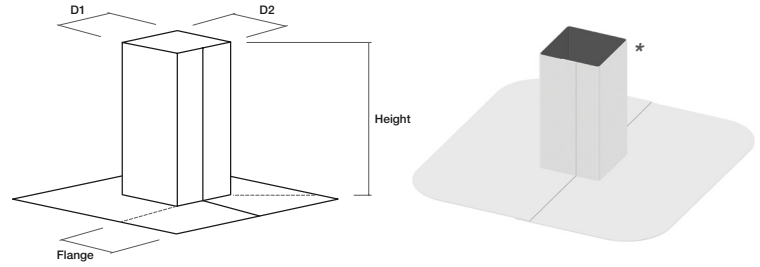
Material: TPO PVC
Seam: Open/Split Welded/Closed
Color: White Slate Gray Patina Green (TPO Only)
 Gray Light Gray (PVC only) Rock Brown (TPO Only)
 Tan Medium Bronze (TPO Only) Terra Cotta (TPO Only)

Quantity: _____

Dimensions: (D1) _____ (D2) _____

Height (8" standard): _____

Flange (5" standard): _____



Max size: 12" x 12". If larger, use curb wrap. *Pressure-Sensitive Termination Flashing included.

Curb Wrap

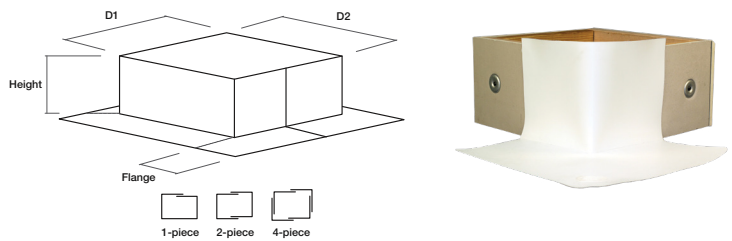
Material: TPO PVC
Type: 1 piece 2 piece 4 piece
Seam: Open/Split Welded/Closed
Color: White Slate Gray Patina Green (TPO Only)
 Gray Light Gray (PVC only) Rock Brown (TPO Only)
 Tan Medium Bronze (TPO Only) Terra Cotta (TPO Only)

Quantity: _____

Dimensions: (D1) _____ (D2) _____

Height (12" standard): _____

Flange (6" standard): _____



Min size: 12" x 12"

Scuppers/Drains

Material: TPO PVC
Type: Wall Overflow Wall Deck Level
Color: White Slate Gray Patina Green (TPO Only)
 Gray Light Gray (PVC only) Rock Brown (TPO Only)
 Tan Medium Bronze (TPO Only) Terra Cotta (TPO Only)

Quantity: _____

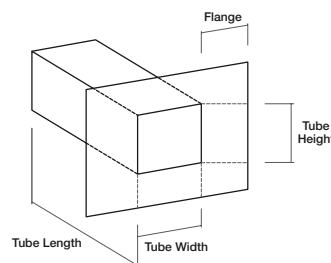
Tube Width: _____

Tube Height: _____

Tube Length: _____

Flange Width: _____

Thru Wall Overflow



Thru Wall Deck Level



Pourable Sealer Pocket

Material: TPO PVC

Color: White Slate Gray Patina Green (TPO Only)
 Gray Light Gray (PVC only) Rock Brown (TPO Only)
 Tan Medium Bronze (TPO Only) Terra Cotta (TPO Only)

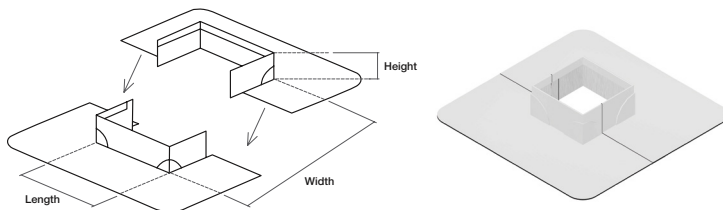
Quantity: _____

Length: _____

Width: _____

Height: _____

(Standard Height: 2")



Louver Vents*

Material: TPO PVC

Color*: White Slate Gray Patina Green (TPO Only)
 Gray Light Gray (PVC only) Rock Brown (TPO Only)
 Tan Medium Bronze (TPO Only) Terra Cotta (TPO Only)

Quantity: _____

Standard Size: 14" x 18" 14" x 24" 14" x 12"
 12" x 18" 12" x 12"
 Bonderized 14" x 18"



Wall Vents*

Material: TPO PVC

Color*: White Slate Gray Patina Green (TPO Only)
 Gray Light Gray (PVC only) Rock Brown (TPO Only)
 Tan Medium Bronze (TPO Only) Terra Cotta (TPO Only)

Quantity: _____

Standard Size: 12" 16" 24"



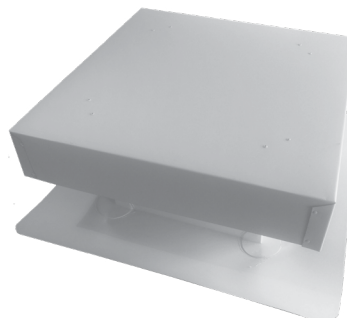
Gravity Vents*

Material: TPO PVC

Color*: White Slate Gray Patina Green (TPO Only)
 Gray Light Gray (PVC only) Rock Brown (TPO Only)
 Tan Medium Bronze (TPO Only) Terra Cotta (TPO Only)

Quantity: _____

Standard Size: 12"x12" 18"x18" 24"x24"



* The vents themselves are white in color. The pre-welded skirt is available in eight color options.

