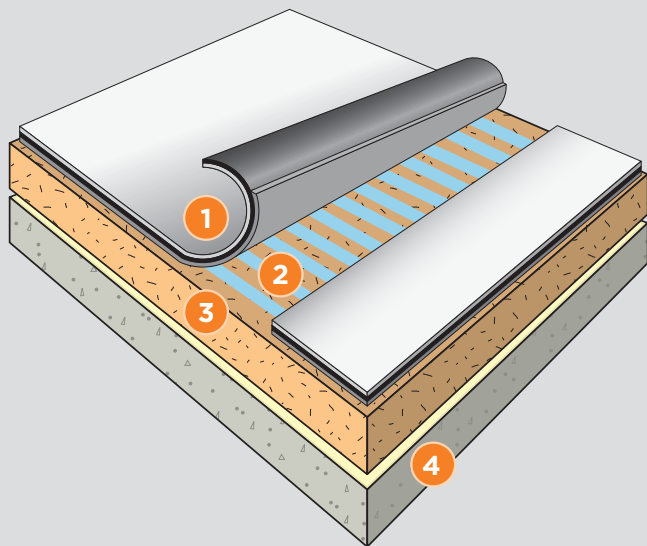


WeatherBond TPO Fleece

Fully Adhered Roofing System with Flexible DASH Adhesive



Typical Application

- 1 WeatherBond TPO Fleece Membrane
- 2 Flexible DASH Adhesive
- 3 Acceptable Insulation
- 4 Approved Roof Deck

Colors:	White, Gray, Tan
Standard Thicknesses:	100, 115 and 135
Standard Widths:	6' and 12'
Standard Lengths:	50', 75' and 100'

System Features And Benefits:

- Heat-weldable membranes
- Reduced noise during installation
- High wind uplift performance
- Hail and puncture resistance
- Smooth, thick top-ply membrane adds improved long-term weatherability and durability and reduces dirt build-up
- Can be installed on non-nailable decks using patented VOC-free Flexible DASH adhesive for secure attachment
- Industry-leading OctaGuard XT™ Weathering Package provides improved weatherability, durability and long-term rooftop performance
- Eco-friendly membranes do not contain chlorine or plasticizers
- Flexible DASH Adhesive can be applied in 4", 6" or 12" O.C. beads depending on project requirement

Installation

The WeatherBond TPO Fleece Fully Adhered Roofing System utilizes 45-, 60- or 80-mil white, gray or tan WeatherBond thermoplastic polyolefin (TPO) membrane laminated to a non-woven polyester fleece backing.

Flexible DASH Adhesive, a low-rise insulating, two-component spray-applied polyurethane adhesive, is used to adhere insulation to the substrate. Flexible DASH Adhesive is then sprayed onto the insulation and WeatherBond TPO Fleece membrane is rolled into the foamed adhesive after it develops string/body. Adjoining sheets are hot-air welded to form a monolithic assembly.

The above information represents a typical WeatherBond TPO Fleece Fully Adhered Roofing System application. Refer to WeatherBond's published installation instructions for more complete information.

WeatherBond TPO Membrane

Thermoplastic polyolefin membrane, engineered to provide outstanding long-term performance in new roof construction and re-roofing applications. All WeatherBond TPO membranes utilize the patented OctaGuard XT weathering package technology, which is able to withstand extreme durability testing intended to simulate exposure to several climates.



WEATHERBOND
ROOFING SYSTEMS

Single-Ply Simplified

Certified Fabricated Accessories

Certified Fabricated Accessories (CFAs) are the only factory-fabricated TPO accessories that meet the stringent quality tolerances required to be included in a warranted WeatherBond TPO roofing system.



Existing or New Deck Type	New Construction						Re-roofing		
	Steel	Plywood or OSB	Lt. Wt. Concrete	Structural Concrete	Wood Planks	Gypsum & Fibrous Cement	Smooth-Surface BUR	Gravel-Surfaced BUR	Existing Single-Ply
Insulation Required	Yes	No	No	No	No	No	No	Yes	No
Recommended Insulations	WeatherBond Polyiso, Recovery Board, DensDeck® or SECUROCK® over acceptable insulation						←	Refer to New Construction	
Insulation Attached By	Flexible DASH Adhesive or WeatherBond Fasteners						←	Refer to New Construction	
Membrane Attached By	Flexible DASH Adhesive						←	Refer to New Construction	

FOR TEAR-OFF OPTIONS REFER TO NEW CONSTRUCTION ABOVE.
 For current code approvals, visit WeatherBond's website or contact a design analyst.
 ** Refer to WeatherBond's TPO Design Criteria Portion of the Current Specification.



WEATHERBOND
 ROOFING SYSTEMS

Single-Ply Simplified

P.O. Box 251 | Plainfield, PA 17081 | 866.471.5125 | FAX: 717.960.4034 | www.weatherbondroofing.com

© 2018 WeatherBond. 04.25.18 REPRINT REQUEST CODE: 609321 - "WeatherBond TPO Fleece Fully Adhered with Flexible DASH System Sheet"
 WeatherBond is a trademark of WeatherBond. OctaGuard XT is a trademark of Carlisle Construction Materials, LLC.
 DensDeck is a registered trademark of Georgia-Pacific Gypsum LLC. SECUROCK is a registered trademark of USG Corporation.
 ENERGY STAR is a registered trademark owned by the U.S. Government. *ENERGY STAR qualification is only valid in the U.S.