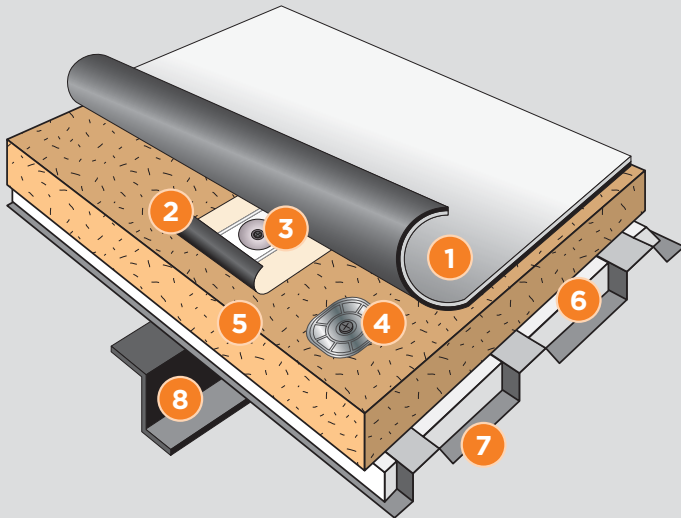


WeatherBond TPO

Metal Retrofit Roofing System



Typical Application

- 1 WeatherBond TPO Membrane
- 2 TPO 10"-wide RUSS (Reinforced Universal Securement Strip)
- 3 Purlin Fasteners
- 4 HPW or HPWX Fasteners
- 5 Acceptable Insulation
- 6 Flute Filler
- 7 Existing Metal Roof
- 8 Structural Purlin

Colors:	White, Gray, Tan
Standard Thicknesses:	45-, 60- and 80-mil
Standard Widths:	4', 6', 8', 10', and 12'
Standard Lengths:	100'

System Features And Benefits:

- 45-, 60-, and 80-mil membrane thicknesses
- White, gray, and tan colors available
- Adds additional insulating value
- Heat-weldable seams
- Roofing membrane is ENERGY STAR® qualified, CRRC rated and can contribute to LEED® requirements
- High wind uplift performance
- Industry-leading OctaGuard XT™ Weathering Package provides improved weatherability, durability, and long-term rooftop performance

WeatherBond TPO Membrane

WeatherBond's TPO is a premium, heat-weldable, single-ply thermoplastic polyolefin membrane, engineered to provide outstanding long-term performance in new roof construction and re-roofing applications. All WeatherBond TPO membranes utilize the patented OctaGuard XT weathering package technology, which is able to withstand extreme durability testing intended to simulate exposure to several climates.

WeatherBond TPO Accessories

WeatherBond also offers over a dozen prefabricated, in-stock, standard-order accessories, and countless custom-order accessories. All carry a CFA (Certified Fabricated Accessory) stamp of approval, so you know they are manufactured to the highest standards. Every WeatherBond CFA-approved accessory saves time and money during installation.



WEATHERBOND
ROOFING SYSTEMS

Single-Ply Simplified

Insulation

An acceptable insulation is used to fill the metal deck flutes. A subsequent layer of insulation or coverboard is then installed and secured to the metal roof with HPW or HPWX Fasteners and insulation plates.

Metal Retrofit Mechanically Attached Roofing System

10" wide TPO Pressure-Sensitive RUSS strips are attached through the insulation (underlayment) to the purlins with Purlin Fasteners. WeatherBond reinforced TPO membrane is primed and then adhered to the RUSS strips. Adjoining membrane sheets are hot-air welded together using an approved auto hot-air welder. Purlin Fasteners and Piranha Plates may be used in place of RUSS and primer if they are stripped in with appropriate material.

System Features And Benefits:

UL Class A, B and Unlimited Slope ratings are available

Meets FM Loss Prevention Data Sheet 1-31.



OCTAGUARD XT
WEATHERING PACKAGE



Mechanically Attached

Fully Adhered

Flutes of existing metal roof are filled with an acceptable insulation

Flute Filler Attached By	Insulation is loose-laid into flutes	
Approved insulation is then laid over flute filler		
Insulation Attached By	Insulation attached by insulation is mechanically attached into existing metal with insulation fasteners, HPW or HPWX Fasteners	
Membrane Attached By	Purlin Fasteners and HPWX Plates used to attach 10" TPO Pressure-Sensitive RUSS Strip into existing purlins	Purlin Fasteners and Rhinobond Plates

For current code approvals, visit WeatherBond's website or contact a design analyst.
** Refer to WeatherBond's Design Criteria Portion of the Current Specification.



WEATHERBOND
ROOFING SYSTEMS

Single-Ply Simplified

P.O. Box 251 | Plainfield, PA 17081 | 866.471.5125 | FAX: 717.960.4034 | www.weatherbondroofing.com

© 2018 WeatherBond. 08.08.18 REPRINT REQUEST CODE: 609640 - "WeatherBond TPO Metal Retrofit System Sheet"
WeatherBond is a trademark of WeatherBond. OctaGuard XT is a trademark of Carlisle Construction Materials, LLC.
ENERGY STAR is a registered trademark owned by the U.S. Government. LEED is a registered trademark of the U.S. Green Building Council.
*ENERGY STAR qualification is for white and tan membranes.